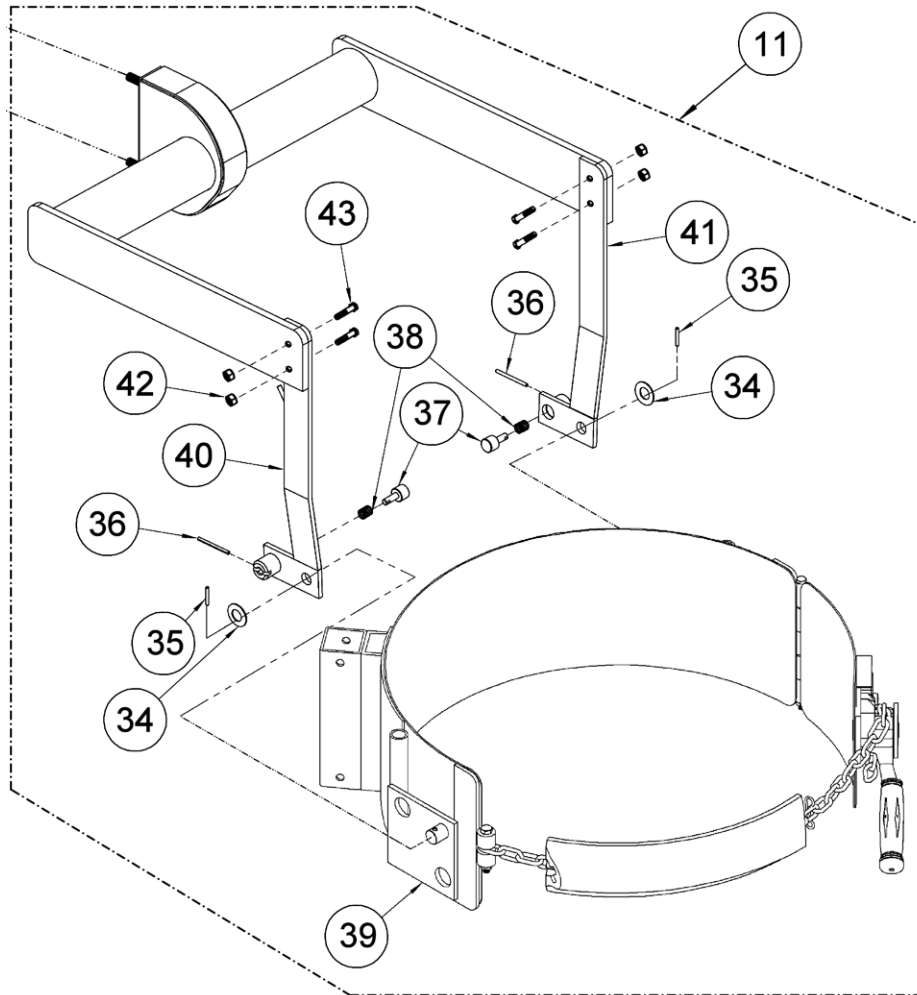


Parts Diagram for Part # 5305M-P
Overhead Assembly for Morse 82AM Series
Mobile-Karrier / Palletizer with Spark Resistant Parts
with Serial Number 0313 to 1014 (MMYY)



| ITEM | QTY. | PART # | DESCRIPTION |
|----------------------------|------|-----------|-------------------------------|
| 11 | 1 | 5305M-P | OVERHEAD ASM, 82AM, SR |
| 34 | 2 | 62-P | WASHER, 3/4 SPRING |
| 35 | 2 | 64-P | ROLL PIN, 3/16 X 1-1/4 |
| 36 | 2 | 61-P | ROLL PIN, 3/16 X 2-1/2 |
| 37 | 2 | 59-P | PLUNGER, 80, 85 |
| 38 | 2 | 60-P | SPRING, PLUNGER, 80, 85 |
| 39 | 1 | 1012M-P | SADDLE ASM, SR SOCKET TUBE |
| 40 | 1 | 5316CPT-P | LINK ASM, LEFT, 82A, GT |
| 41 | 1 | 5317CPT-P | LINK ASM, RIGHT, 82A, GT |
| 42 | 4 | 810-P | NUT, 1/2-13 REV HEX LOCK |
| 43 | 4 | 805-P | BOLT, 1/2-13 X 1-1/4 CARRIAGE |
| * Recommended spare parts. | | | |