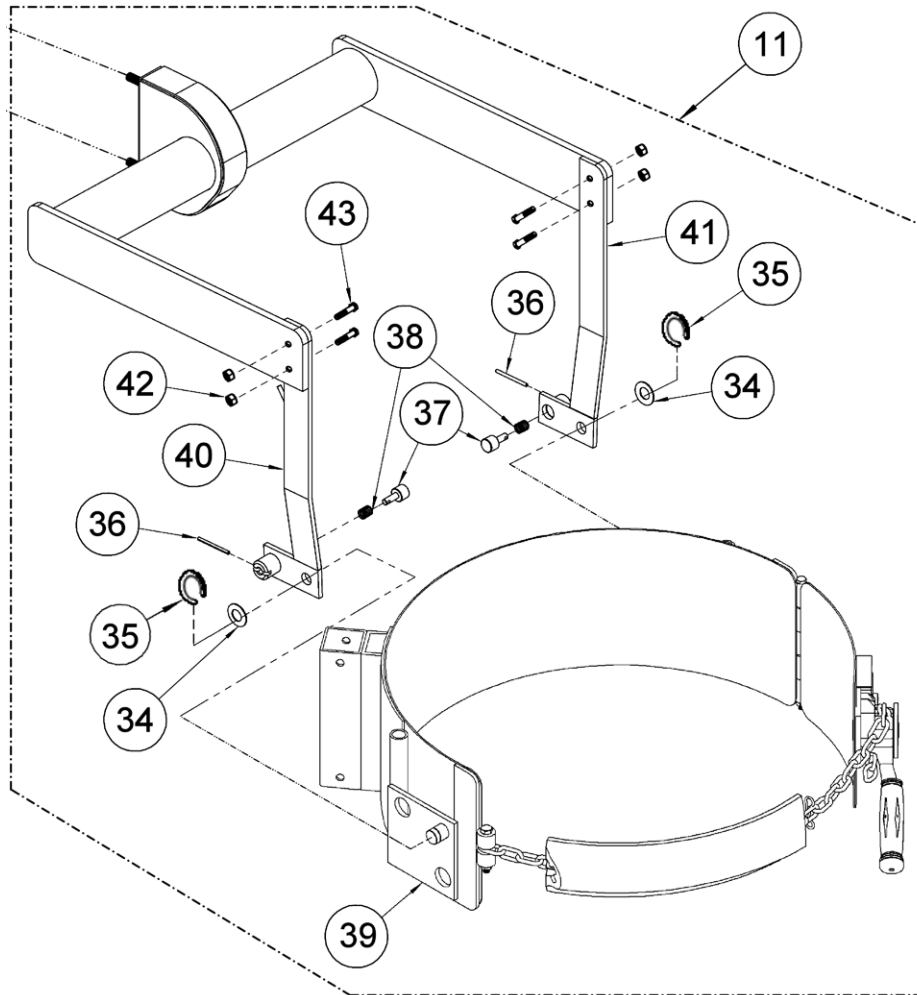


Parts Diagram for Part # 5305M-P
Overhead Assembly for Morse 82AM Series
Mobile-Karrier / Palletizer with Spark Resistant Parts
with Serial Number 1114 to 0515 (MMYY)



ITEM	QTY.	PART #	DESCRIPTION
11	1	5305M-P	OVERHEAD ASM, 82AM, SR
34	2	62-P	WASHER, 3/4 SPRING
35	2	5330-P	SNAP RING, EXT, HD, .078, 3/4"
36	2	61-P	ROLL PIN, 3/16 X 2-1/2
37	2	59-P	PLUNGER, 80, 85
38	2	60-P	SPRING, PLUNGER, 80, 85
39	1	1012M-P	SADDLE ASM, SR SOCKET TUBE
40	1	5316CPT-P	LINK ASM, LEFT, 82A, GT
41	1	5317CPT-P	LINK ASM, RIGHT, 82A, GT
42	4	810-P	NUT, 1/2-13 REV HEX LOCK
43	4	805-P	BOLT, 1/2-13 X 1-1/4 CARRIAGE

* Recommended spare parts.