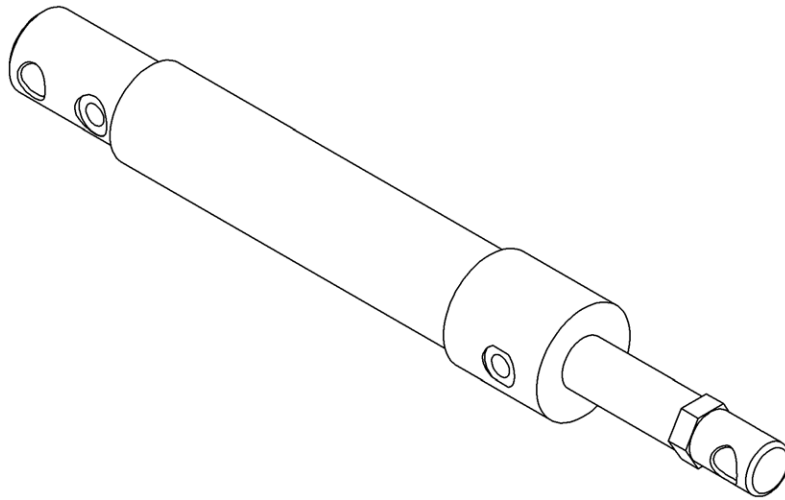


Replacement Parts List for Morse Part # 5522-P Hydraulic Cylinder

Used on:

- Model 285A-BP and 285XBP Forklift-Karriers with serial numbers 0413 to ____ (MMYY)
- Model 289C and 289F Forklift Mounted Drum Rackers with serial numbers 262686 to ____
- 611 and 620 Series MORStak Drum Rackers with serial numbers 262686 to ____
- Model 910 < PILOT > MORStak Drum Racker with serial numbers 267142 to ____



QTY.	PART #	DESCRIPTION
1	5522-P	CYLINDER, 2 X 10, SAE ADJ CLEV
1	5523-P	KIT, SEAL 2" CYL 5522-P

Note:

Stroke is 10" (25.4 cm)
 Length Closed: 19-3/4" to 20-1/8" (50.2 to 51.1 cm) Center to Center
 Length Fully Extended: 29-3/4" to 30-1/8" (75.6 to 76.5 cm) Center to Center