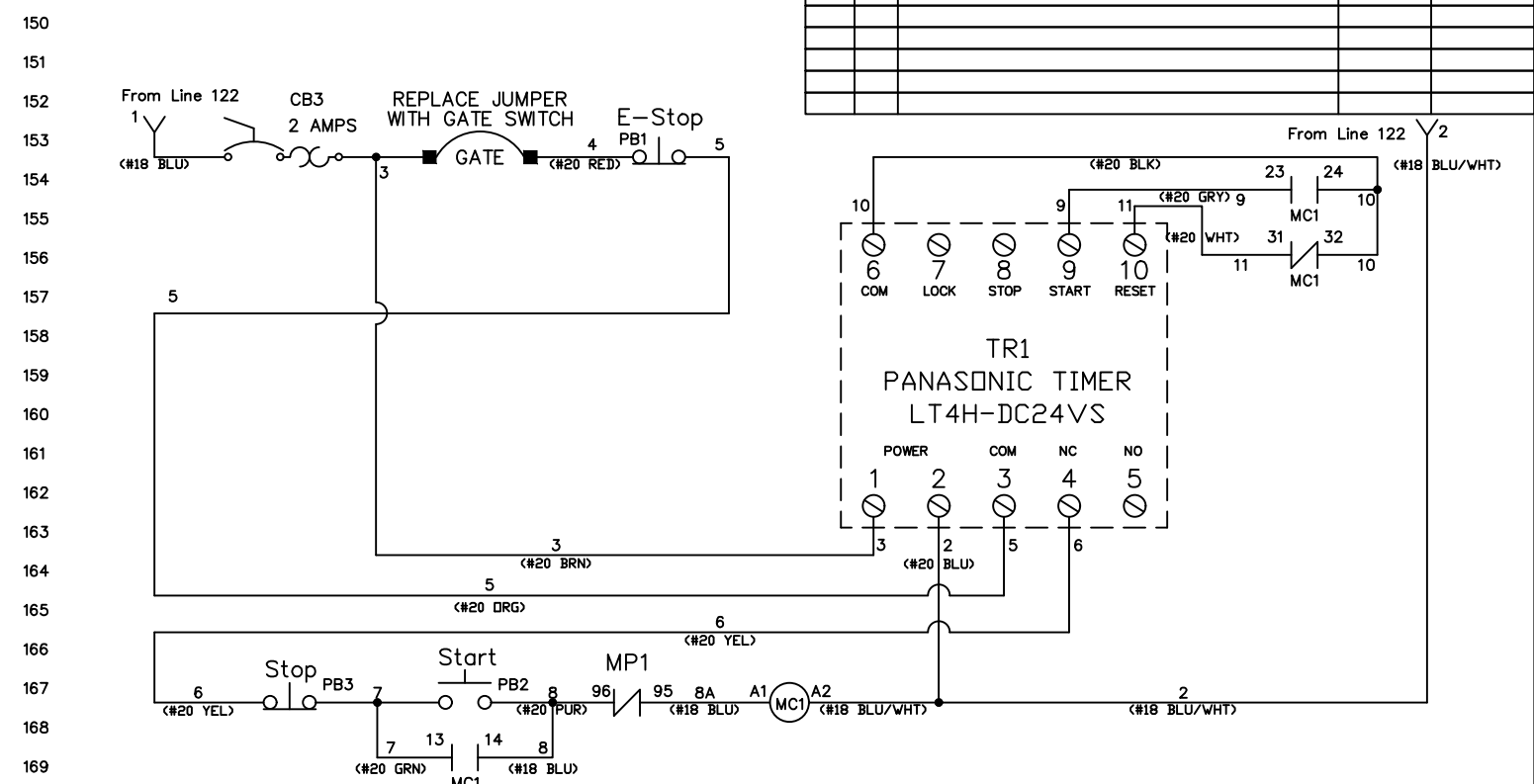
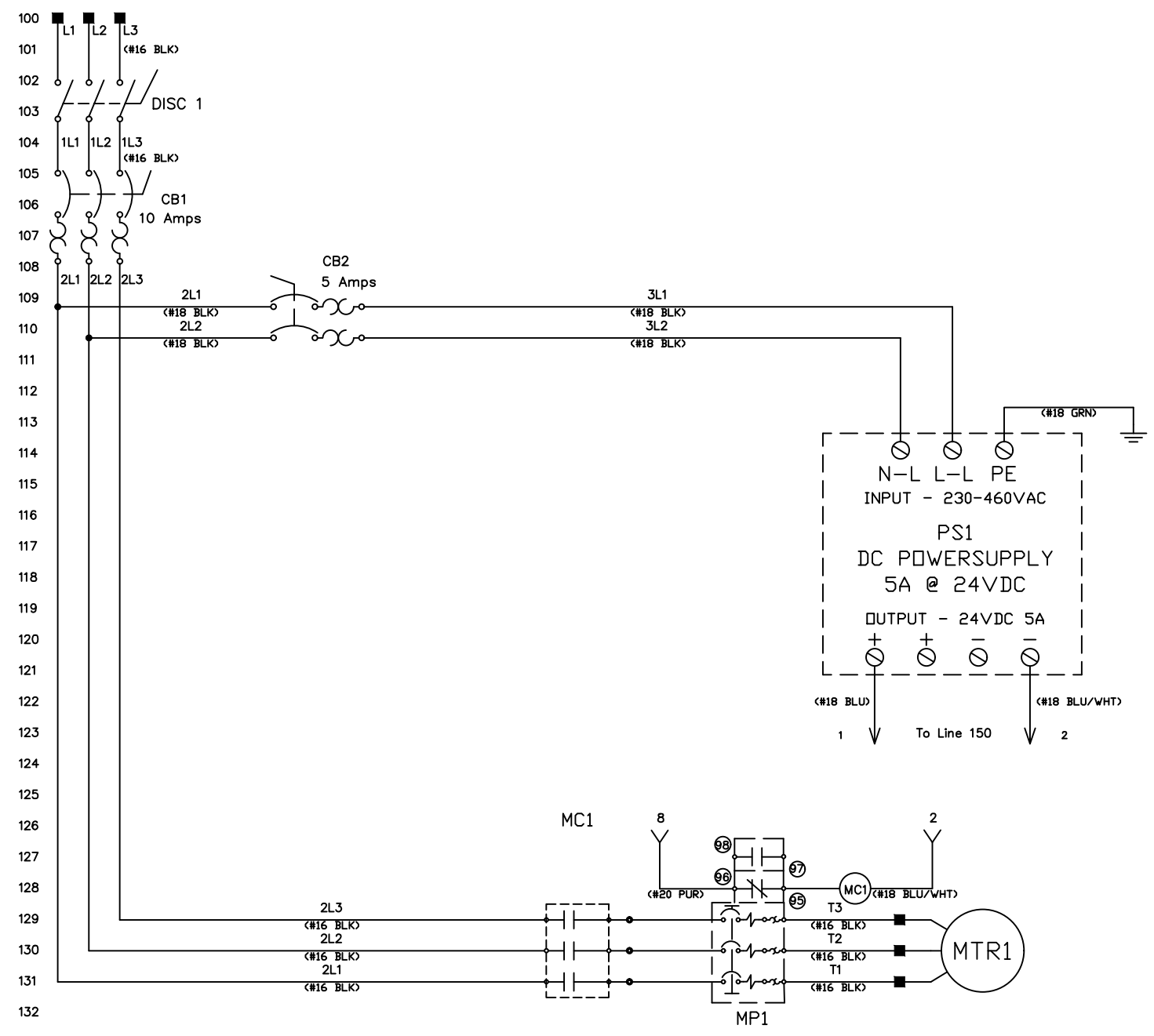
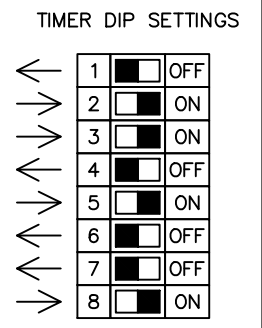


MAINS POWER
380 - 460 VAC 3 Phase
15 AMP



*MANUFACTURER	*PART NUMBER	DESCRIPTION	QUANTITY
Iboco	T1-0510G	WIRE DUCT	1
Iboco	OMEGA 3FAL1	DIN Rail	1
Eurobex (EXM)	5412 ESCH121206	Enclosure, NEMA 4-12, 12" x 12" x 6"	1
McMaster-Carr	5891T111	Electrical Hazard Warning Label	1
Mencom	PCG-1/2X	Cable Gland	1
Mencom	PCG-1/2	Cable Gland	2
Mencom	212PA	Nut	3
Panasonic	LT4H-DC24VS	LT4H Digital Timer, 24VDC, Relay Output	1
Sprecher+Schuh	FLEX9024B	Power Supply, Input 230/460VAC, Output 24VDC @5A	1
Sprecher+Schuh	CA8-09C-10-24D	Contactor	1
Sprecher+Schuh	CA8-P11	Auxiliary Contact Block, 1NO/1NC	1
Sprecher+Schuh	CT8-B32	Overload Relay 2.3 to 3.2A	1
WEG	CSW-B55-WH	Pushbutton, Extended Black	1
WEG	CSW-BF2-WH	Pushbutton, Flush Green	1
WEG	CSW-BESG-WH	E-Stop Operator, Twist-To-Release, 42mm	1
WEG	AF3F	Mounting Flange	3
WEG	BCM01F-CSW	Contact Block, NC, Self-Monitoring	1
WEG	BC01F-CSW	Contact Block, NC	1
WEG	BC10F-CSW	Contact Block, NO	1
Sprecher+Schuh	D7-15YSE112	E-Stop Inscription Ring	1
WEG	MSW 40 B-3 H	Base Mounted 3 Pole Switch w/Handle & Shaft	1
Sprecher+Schuh	LA2-G3393	Metal Operating Shaft	1
Sprecher+Schuh	L9-10/3/D	Circuit Breaker, 10 Amp, D-Curve	1
Sprecher+Schuh	L8-5/2/B	Circuit Breaker, 5 Amp, B-Curve	1
Sprecher+Schuh	L8-2/1/B	Circuit Breaker, 2 Amp, B-Curve	1
Sprecher+Schuh	V7-WG4	Ground Terminal	1
Sprecher+Schuh	V7-W4	Terminal	8
Sprecher+Schuh	V7-EA35	End Anchor	10
Sprecher+Schuh	V7-EB3	End Barrier	1
Sprecher+Schuh	V7-PP3	Partition	1
Sprecher+Schuh	V7-SM6X12	Marker Card	1
		Legend Plate, 0.75" x 0.75", "0/STOP"	1
		Legend Plate, 0.75" x 0.75", " /START"	1



*FUNCTIONALLY EQUIVALENT COMPONENTS MAY BE SUBSTITUTED

DRAWN BY	PCW
CHKD BY	PCW
DATE DRAWN	04/27/2022
DATE CHKD	07/27/2023

MORSE
The Specialist In Drum Handling Equipment

103 Kuhn Rd, Syracuse, NY 13208
PHONE 315-564-4347 FAX 315-437-1029

TITLE MORSE 5538-P (ELECTRICAL) DWG NO. AAC1042722A SHEET 1 of 1 REV 01

THIS MATERIAL IS THE EXCLUSIVE PROPERTY OF MORSE MANUFACTURING COMPANY INC. AND MUST BE RETURNED TO MORSE IMMEDIATELY UPON REQUEST. THIS MATERIAL AND INFORMATION ILLUSTRATED OR CONTAINED HEREIN MAY NOT BE REPRODUCED, COPIED, USED, OR TRANSMITTED IN ANY MANNER OR BY ANY MEANS WITHOUT THE PRIOR WRITTEN CONSENT OF MORSE MANUFACTURING COMPANY INC.

ZONE	REV	DESCRIPTION	DATE	APPROVED
153	01	Electrical Revision	07/27/23	PCW