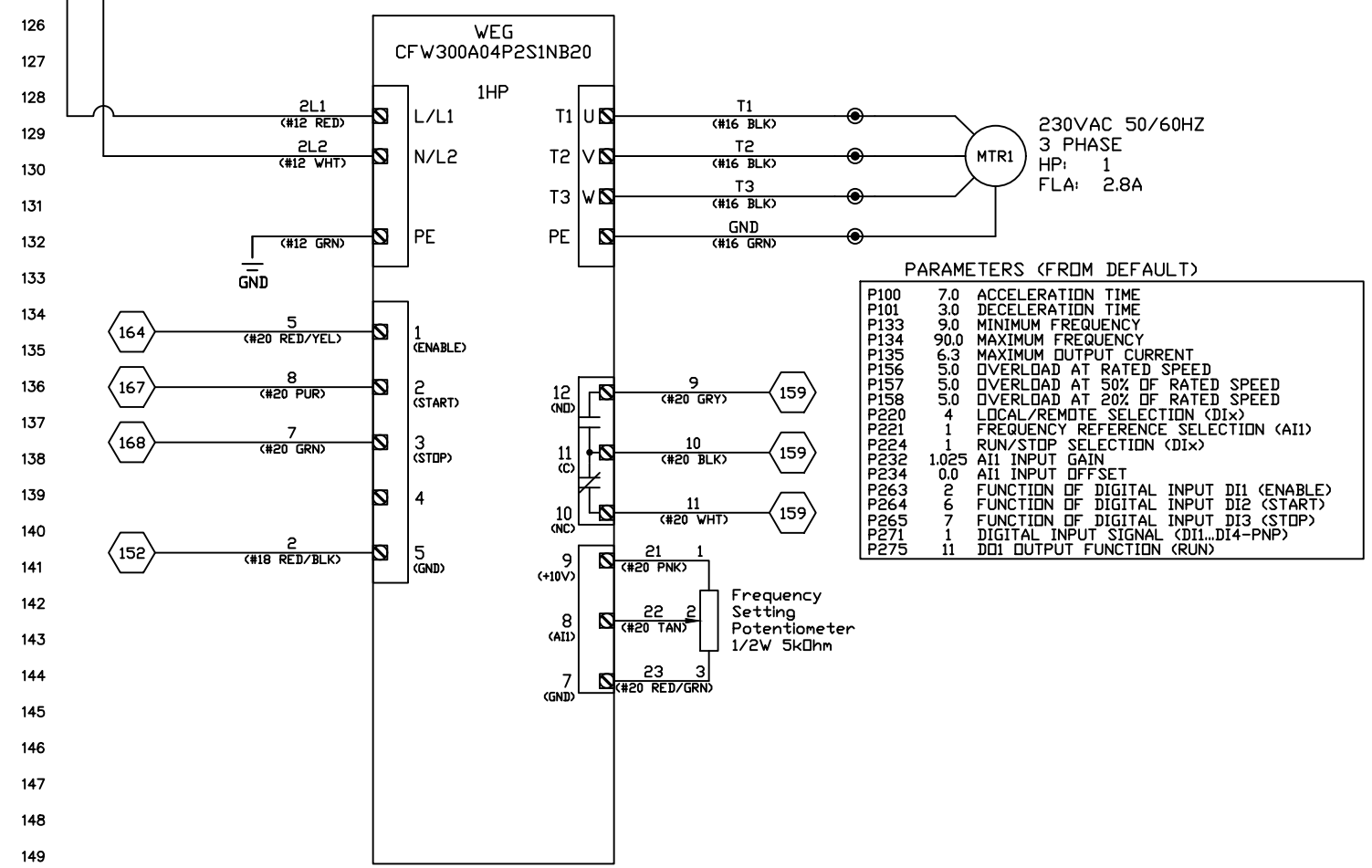
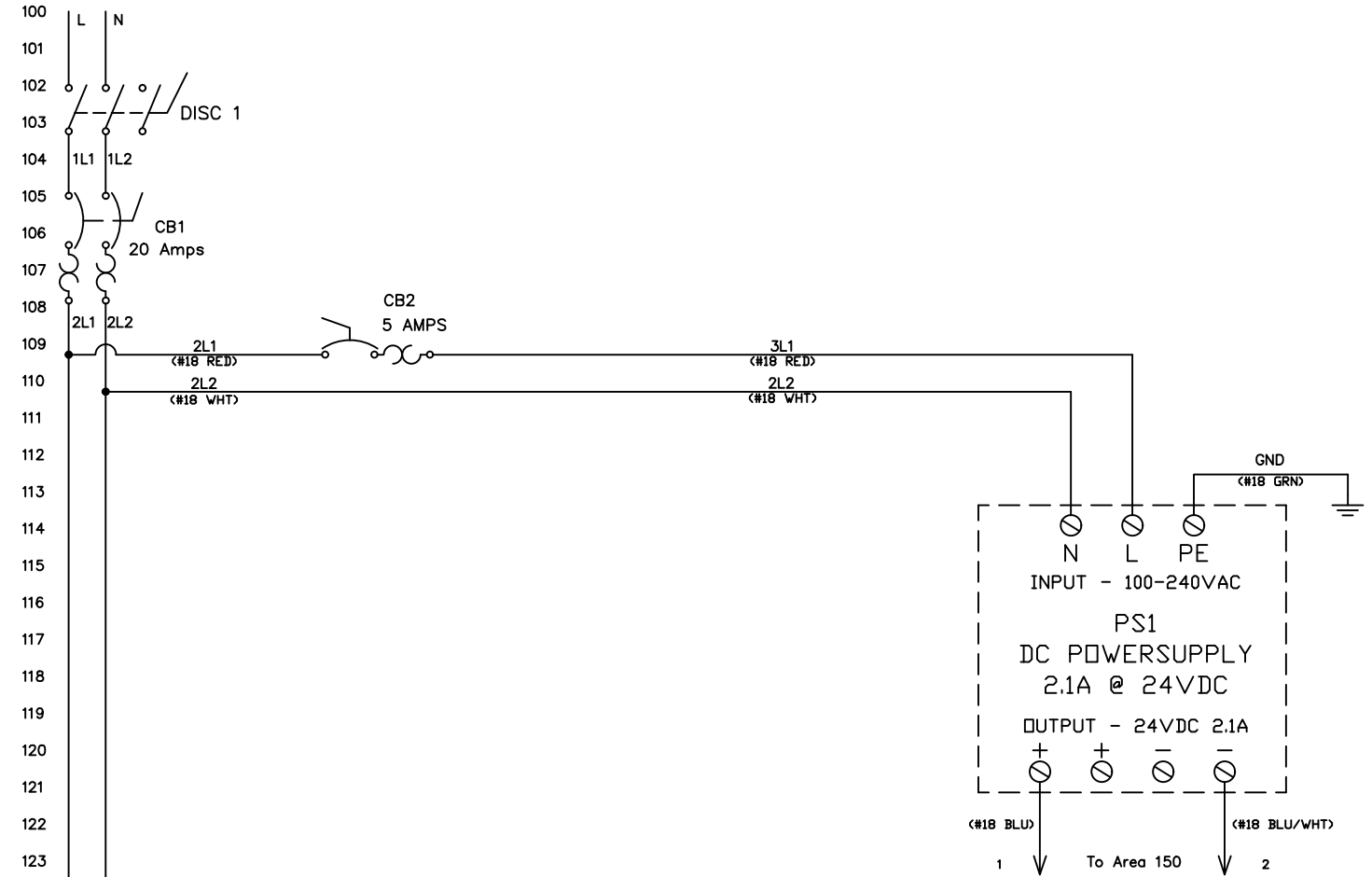


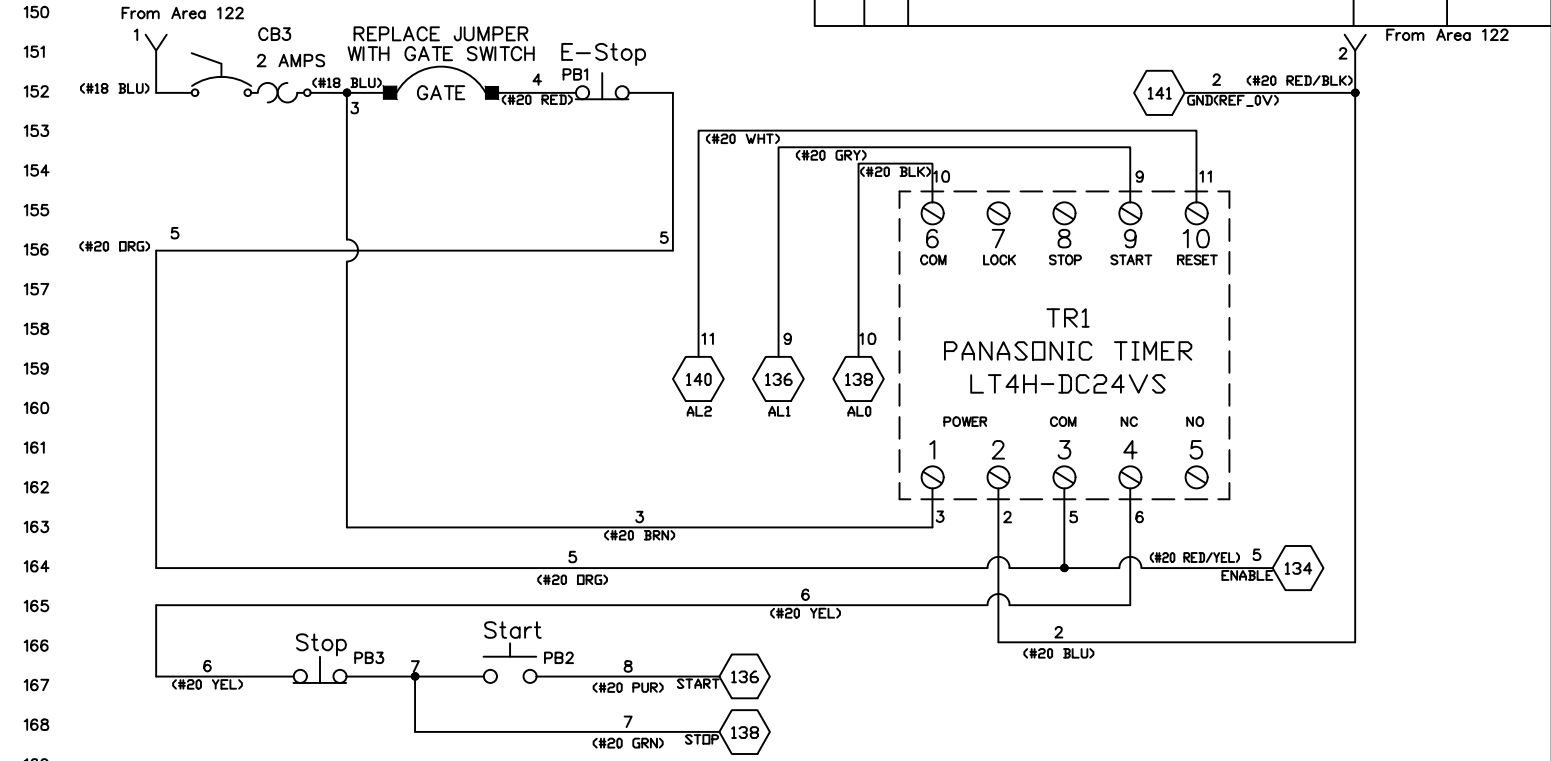
MAINS POWER
115 VAC 1 Phase
20 AMP



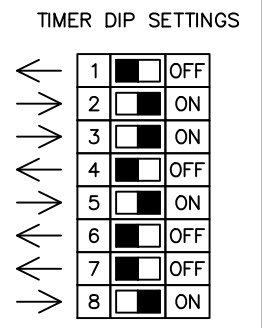
PARAMETERS (FROM DEFAULT)

P100	7.0	ACCELERATION TIME
P101	3.0	DECELERATION TIME
P133	9.0	MINIMUM FREQUENCY
P134	90.0	MAXIMUM FREQUENCY
P135	6.3	MAXIMUM OUTPUT CURRENT
P156	5.0	OVERLOAD AT 50% DF RATED SPEED
P157	5.0	OVERLOAD AT 20% DF RATED SPEED
P158	5.0	OVERLOAD AT 20% DF RATED SPEED
P220	4	LOCAL/REMOTE SELECTION (DIX)
P221	1	FREQUENCY REFERENCE SELECTION (AII)
P224	1	RUN/STOP SELECTION (DIX)
P232	1.025	AII INPUT GAIN
P234	0.0	AII INPUT OFFSET
P263	2	FUNCTION OF DIGITAL INPUT DI1 (ENABLE)
P264	6	FUNCTION OF DIGITAL INPUT DI2 (START)
P265	7	FUNCTION OF DIGITAL INPUT DI3 (STOP)
P271	1	DIGITAL INPUT SIGNAL (DI1..DI4-PNP)
P275	11	DDI OUTPUT FUNCTION (RUN)

REVISIONS		DATE	APPROVED
ZONE	REV	DESCRIPTION	
N/A	01	CIRCUIT BREAKER REPLACES MAIN FUSES, BDM CHANGE	04/18/22 PCW
152	02	E-STOP CIRCUIT REVISION, BDM CHANGE	06/11/24 PCW



*MANUFACTURER	*PART NUMBER	DESCRIPTION	QUANTITY
Eurobex (EXM)	5412 ES161608	Enclosure, 16" x 16" x 8"	1
Emerson-Sola	SVL 2-24-100	Power Supply, Input 100-240VAC, Output 24VDC @2.1A	1
Panasonic	LT4H-DC24VS	Panasonic Digital Timer	1
WEG	CFW300A04P2S1NB20	WEG CFW300 VFD, 1HP @ 115VAC 1-PHASE	1
Sprecher+Schuh	D7P-POT5A	Potentiometer, 5K	1
WEG	CSW-B55-WH	Pushbutton, Extended Black	1
WEG	CSW-BF2-WH	Pushbutton, Flush Green	1
WEG	CSW-BESG-WH	E-Stop Operator, Twist-To-Release, 42mm	1
WEG	AF3F	Mounting Flange	3
WEG	BCM01F-CSW	Contact Block, NC, Self-Monitoring	1
WEG	BC10F-CSW	Contact Block, NO	1
WEG	MSW 40 B-3 H	Base Mounted 3 Pole Switch w/Handle	1
WEG	MSW HS 185-40	Metal Operating Shaft	1
Sprecher+Schuh	D7-15YSE112	E-Stop Inscription Ring	1
Sprecher+Schuh	L9-20/2/D	Circuit Breaker, 20Amp, D-Curve	1
Sprecher+Schuh	L8-5/1/B	Circuit Breaker, 5Amp, B-Curve	1
Sprecher+Schuh	L8-2/1/B	Circuit Breaker, 2Amp, B-Curve	1
Iboco	OMEGA 3FAL1	DIN Rail, 35mm x 1meter	1
Iboco	T1-0510G	WIRE DUCT, 0.50" x 1.0" x 2M	1
Sprecher+Schuh	V7-WG4	Ground Terminal	2
Sprecher+Schuh	V7-W4	Terminal	11
Sprecher+Schuh	V7-EA35	End Anchor	11
Sprecher+Schuh	V7-EB3	End Barrier	3
Sprecher+Schuh	V7-PP3	Partition	1
Sprecher+Schuh	V7-SM6X12	Marker Card	1
Sprecher+Schuh	V7-CJ6-2	Center Jumper	1
McMaster-Carr	5891T111	Electrical Hazard Warning Label, 1-3/4"W x 2-1/2"H	1
		Legend Plate, 0.75" x 0.75", "0/STOP"	1
		Legend Plate, 0.75" x 0.75", "I/START"	1
		Legend Plate, 0.75" x 2.00", "MOTOR SPEED CONTROL"	1



THIS MATERIAL IS THE EXCLUSIVE PROPERTY OF MORSE MANUFACTURING COMPANY INC. AND MUST BE RETURNED TO MORSE IMMEDIATELY UPON REQUEST. THIS MATERIAL AND INFORMATION ILLUSTRATED OR CONTAINED HEREIN MAY NOT BE REPRODUCED, COPIED, USED OR TRANSMITTED IN ANY MANNER OR BY ANY MEANS WITHOUT THE PRIOR WRITTEN CONSENT OF MORSE MANUFACTURING COMPANY INC.

DRAWN BY
PCW
CHKD BY
PCW
DATE DRAWN
11/14/21
DATE CHKD
06/11/24



103 Kuhn Rd, Syracuse, NY 13208
PHONE 315-564-4347 FAX 315-437-1029