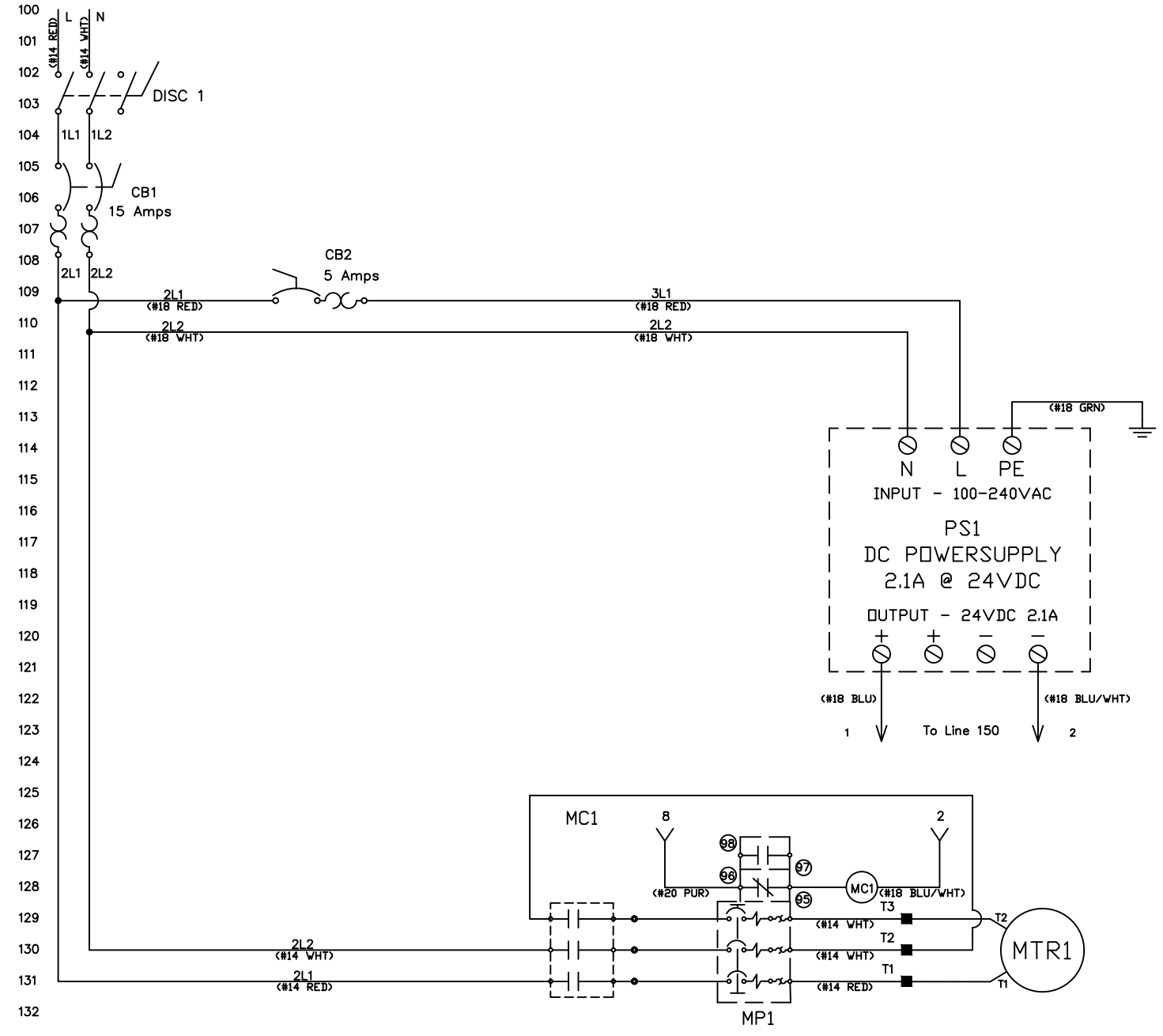
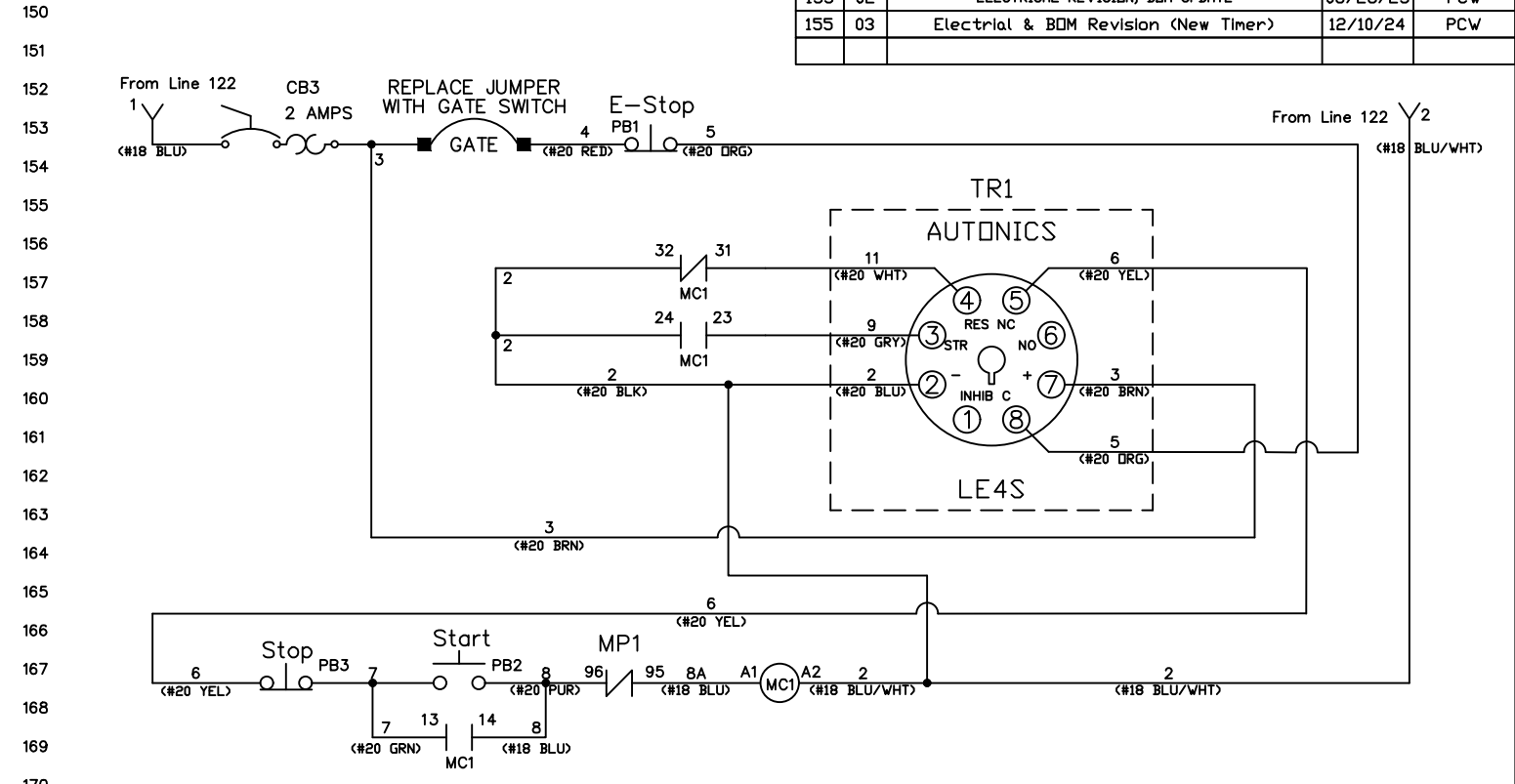


MAINS POWER  
115 VAC 1 Phase  
15 AMP



| REVISIONS |     |                                      |          |          |
|-----------|-----|--------------------------------------|----------|----------|
| ZONE      | REV | DESCRIPTION                          | DATE     | APPROVED |
| N/A       | 01  | ELECTRICAL REVISION                  | 04/22/22 | PCW      |
| 153       | 02  | ELECTRICAL REVISION, BOM UPDATE      | 06/26/23 | PCW      |
| 155       | 03  | Electrial & BOM Revision (New Timer) | 12/10/24 | PCW      |



| *MANUFACTURER  | *PART NUMBER    | DESCRIPTION  | QUANTITY |
|----------------|-----------------|--|----------|
| Iboco          | T1-0510G        | WIRE DUCT  | 1        |
| Iboco          | OMEGA 3FAL1     | DIN Rail   | 1        |
| Eurobex (EXM)  | 5412 ESCH141206 | Enclosure, NEMA 4-12, 14" x 12" x 6"               | 1        |
| McMaster-Carr  | 5891T111        | Electrical Hazard Warning Label                    | 1        |
| Mencom         | PCG-1/2X        | Cable Gland  | 1        |
| Mencom         | PCG-1/2         | Cable Gland  | 2        |
| Mencom         | 212PA           | Nut  | 3        |
| Autonics       | LE4S            | Digital Timer, 24-240VAC/VDC, Relay Output         | 1        |
| Autonics       | PG-08           | 8-Pin Socket                                       | 1        |
| Emerson-Sola   | SVL 2-24-100    | Power Supply, Input 100-240VAC, Output 24VDC @2.1A | 1        |
| Sprecher+Schuh | CA7-16E-10-24E  | Contactor  | 1        |
| Sprecher+Schuh | CA7-PV-S11      | Auxiliary Contact Block, 1NO/1NC                   | 1        |
| Sprecher+Schuh | CT7N-23-C16     | Overload Relay 11.3 to 16A                         | 1        |
| WEG            | CSW-BS5-WH      | Pushbutton, Extended Black                         | 1        |
| WEG            | CSW-BF2-WH      | Pushbutton, Flush Green                            | 1        |
| WEG            | CSW-BESG-WH     | E-Stop Operator, Twist-To-Release, 42mm            | 1        |
| WEG            | AF3F            | Mounting Flange                                    | 3        |
| WEG            | BCM01F-CSW      | Contact Block, NC, Self-Monitoring                 | 1        |
| WEG            | BC01F-CSW       | Contact Block, NC                                  | 1        |
| WEG            | BC10F-CSW       | Contact Block, NO                                  | 1        |
| Sprecher+Schuh | D7-15YSE112     | E-Stop Inscription Ring                            | 1        |
| WEG            | MSW 40 B-3 H    | Base Mounted 3 Pole Switch w/Handle & Shaft        | 1        |
| Sprecher+Schuh | L9-15/2/D       | Circuit Breaker, 15Amp, D-Curve                    | 1        |
| Sprecher+Schuh | L8-5/1/B        | Circuit Breaker, 5 Amp, B-Curve                    | 1        |
| Sprecher+Schuh | L8-2/1/B        | Circuit Breaker, 2 Amp, B-Curve                    | 1        |
| Sprecher+Schuh | V7-WG4          | Ground Terminal                                    | 1        |
| Sprecher+Schuh | V7-W4           | Terminal   | 7        |
| Sprecher+Schuh | V7-EA35         | End Anchor   | 9        |
| Sprecher+Schuh | V7-EB3          | End Barrier  | 1        |
| Sprecher+Schuh | V7-PP3          | Partition  | 2        |
| Sprecher+Schuh | V7-SM6X12       | Marker Card  | 1        |
|                |                 | Legend Plate, 0.75" x 0.75", "0/STOP"              | 1        |
|                |                 | Legend Plate, 0.75" x 0.75", "1/START"             | 1        |

**\*FUNCTIONALLY EQUIVALENT COMPONENTS MAY BE SUBSTITUTED**

| TIMER SETTINGS             |               |                                 |
|----------------------------|---------------|---------------------------------|
| PARAMETER                  | DISPLAY       | SETTING                         |
| Output operation mode      | o <b>u</b> t  | o <b>o</b> d                    |
| Time Range                 | t <b>r</b> n  | 99 <sup>h</sup> 59 <sup>m</sup> |
| Time UP/DOWN               | u <b>-</b> d  | d <b>n</b>                      |
| Width of min. input signal | i <b>n</b> t  | 20                              |
| Backlight                  | b <b>l</b> u  | o <b>n</b>                      |
| Key lock                   | l <b>o</b> ck | l <b>o</b> ff                   |

|            |          |
|------------|----------|
| DRAWN BY   | PCW      |
| CHKD BY    | PCW      |
| DATE DRAWN | 03/30/22 |
| DATE CHKD  | 12/10/24 |



103 Kuhn Rd, Syracuse, NY 13208  
PHONE 315-564-4347 FAX 315-437-1029

THIS MATERIAL IS THE EXCLUSIVE PROPERTY OF MORSE MANUFACTURING COMPANY INC. AND MUST BE RETURNED TO MORSE IMMEDIATELY UPON REQUEST. THIS MATERIAL AND INFORMATION ILLUSTRATED OR CONTAINED HEREIN MAY NOT BE REPRODUCED, COPIED, USED, OR TRANSMITTED IN ANY MANNER OR BY ANY MEANS WITHOUT THE PRIOR WRITTEN CONSENT OF MORSE MANUFACTURING COMPANY INC.

|                                 |                     |              |        |
|---------------------------------|---------------------|--------------|--------|
| TITLE MORSE 5625-P (ELECTRICAL) | DWG NO. AAC1033022A | SHEET 1 of 1 | REV 03 |
|---------------------------------|---------------------|--------------|--------|