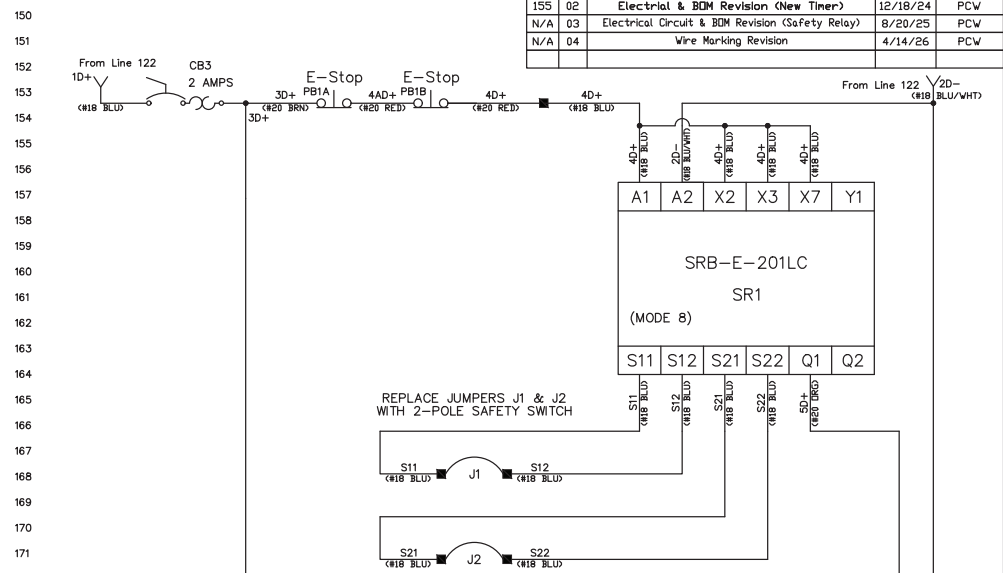
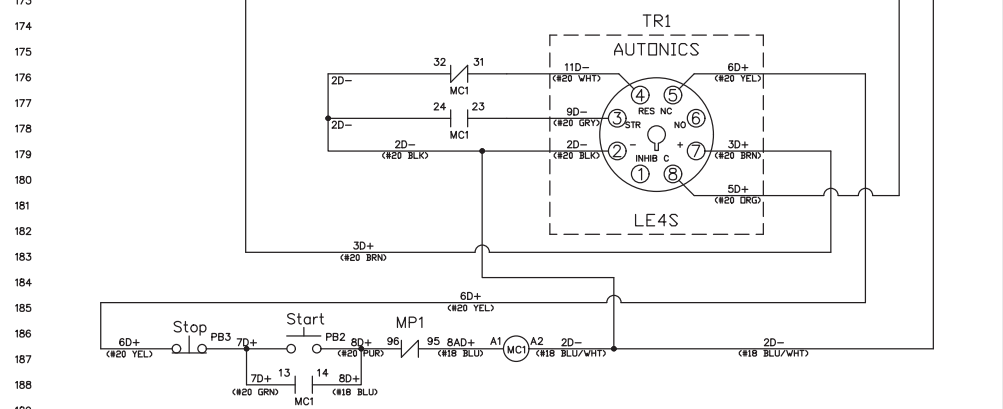


REVISIONS				
ZONE	REV	DESCRIPTION	DATE	APPROVED
153	01	Electrical Revision (Gate & E-Stop)	7/12/23	PCW
155	02	Electrical & BDM Revision (New Timer)	12/18/24	PCW
N/A	03	Electrical Circuit & BDM Revision (Safety Relay)	8/20/25	PCW
N/A	04	Wire Marking Revision	4/14/26	PCW



REPLACE JUMPERS J1 & J2 WITH 2-POLE SAFETY SWITCH



*MANUFACTURER	*PART NUMBER	DESCRIPTION	QUANTITY
Iboco	T1-0510G	WIRE DUCT	1
Iboco	OMEGA 3FAL1	DIN Rail	1
Eurobox (EXM)	S412 E5CH141208	Enclosure, NEMA 4-12, 14" x 12" x 8"	1
		Electrical Hazard Warning Label	1
Mencom	PCG-1/2X	Cable Gland	1
Mencom	PCG-1/2	Cable Gland	2
Mencom	212FA	Nut	3
Autonics	LE4S	Digital Timer, 24-240VAC/VDC, Relay Output	1
Autonics	PG-08	B-Pin Socket	1
Lutze	DRAN60-24A	Power Supply, Input 100-240VAC, Output 24VDC, 60W	1
Schmersal	SRB-E-201LC	Safety Relay Module	1
Sprecher+Schuh	CA8-12C-10-24D	Contactors	1
Sprecher+Schuh	CA8-P11	Auxiliary Contact Block, 1NG/1NC	1
Sprecher+Schuh	CT8-B63	Overload Relay 4.5 to 6.3A	1
Sprecher+Schuh	D7P-E202PX01	Pushbutton, Extended Black "STOP", 1NC	1
Sprecher+Schuh	D7P-F301PX10	Pushbutton, Flush Green "START", 1NO	1
Sprecher+Schuh	D7P-MT44	E-Stop Operator, Twist-To-Release, 40mm	1
Sprecher+Schuh	D7-ALP	Latch, Plastic	1
Sprecher+Schuh	D7-X01	Contact Block, NC	2
Sprecher+Schuh	D7-15YSE112	E-Stop Inscription Ring	1
Sprecher+Schuh	LA7-16-1753	Base Mounted 3 Pole Switch	1
Sprecher+Schuh	LF52-G-8-175	Switch Handle Assembly	1
Sprecher+Schuh	LA2-63393	Metal Operating Staff	1
Sprecher+Schuh	L9-10/D/D	Circuit Breaker, 10Amp, D-Curve	1
Sprecher+Schuh	L8-S/2/B	Circuit Breaker, 5 Amp, B-Curve	1
Sprecher+Schuh	L8-2/1/B	Circuit Breaker, 2 Amp, B-Curve	1
Sprecher+Schuh	V7-WG4	Ground Terminal	1
Sprecher+Schuh	V7-W4	Terminal	5
Sprecher+Schuh	V7-WD4	Terminal	4
Sprecher+Schuh	V7-EA35	End Anchor	9
Sprecher+Schuh	V7-E83	End Barrier	1
Sprecher+Schuh	V7-E8D3	End Barrier	2
Sprecher+Schuh	V7-PP3	Partition	1
Sprecher+Schuh	V7-SM6X9	Marker Card	1
Sprecher+Schuh	V7-SM6X12	Marker Card	1
Sprecher+Schuh	V7-CJ06-2	Center Jumper	1
		Legend Plate, 0.75" x 0.75", "0/STOP"	1
		Legend Plate, 0.75" x 0.75", "1/START"	1

TIMER SETTINGS		
PARAMETER	DISPLAY	SETTING
Output operation mode	o/0	and
Time Range	t-rng	99'59"
Time UP/DOWN	u-d	dn
Width of min. input signal	i nk	20
Backlight	bLU	on
Key lock	LoCk	LoFF

\*FUNCTIONALLY EQUIVALENT COMPONENTS MAY BE SUBSTITUTED

DRAWN BY  
PCW  
CHKD BY  
PCW  
DATE DRAWN  
06/17/2022  
DATE CHG  
04/14/2026

**MORSE**  
The Specialist In Drum Handling Equipment  
103 Kuhn Rd, Syracuse, NY 13208  
PHONE 315-564-4347 FAX 315-437-1029