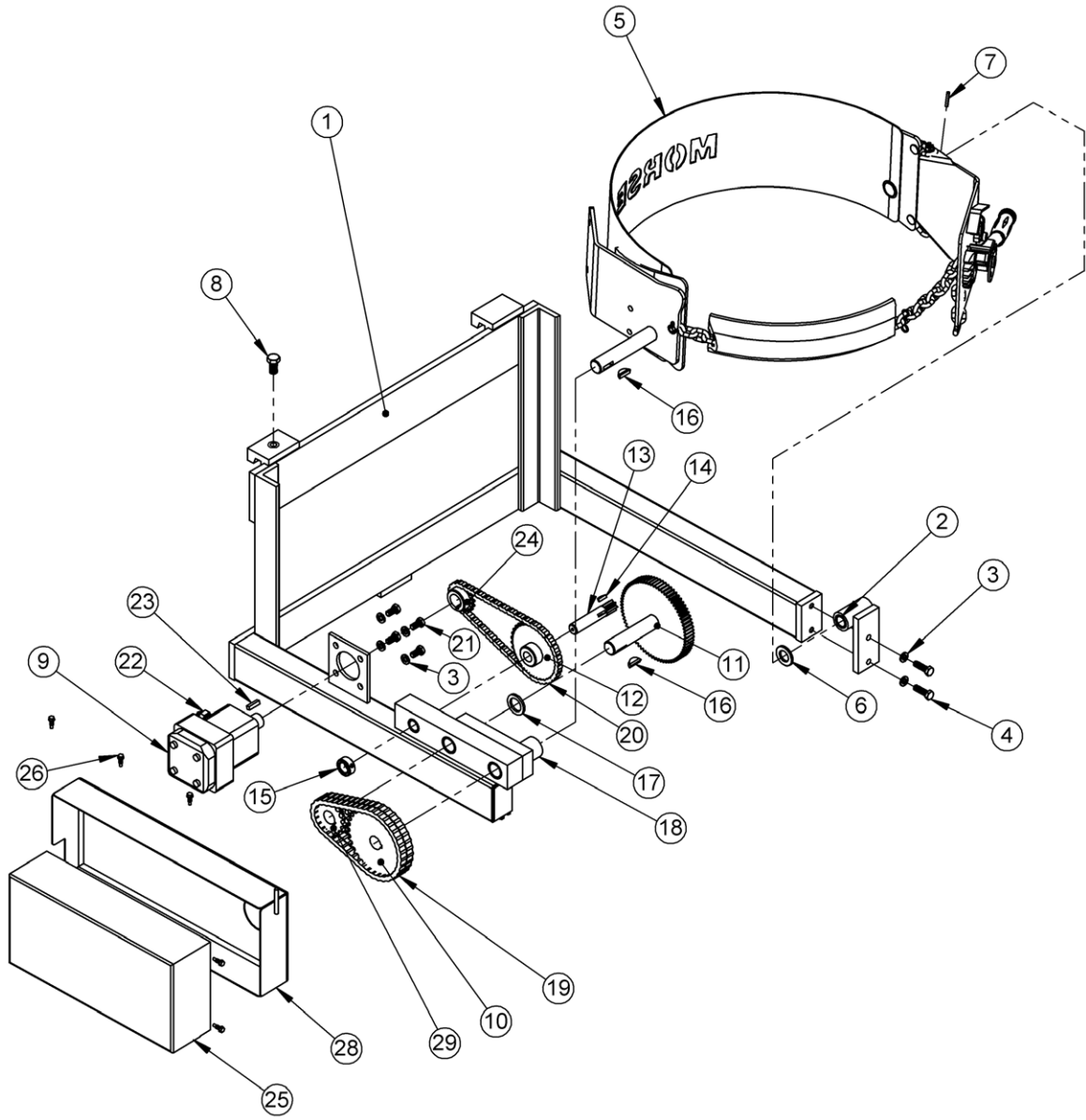


Parts List for Morse Part # 5635-P Yoke Assembly

Used on Morse Vertical-Lift Drum Pourers with powered drum tilt



ITEM NO.	PART NUMBER	DESCRIPTION	QTY.
1	5636-P	YOKE WELD, PT, ITA2	1
2	3849B-P	BEARING ASM, SLIDING IDLER	1
3	1474-P	WASHER, 3/8 SPLIT LOCK	6
4	535-P	HHCS, 3/8-16 X 1-1/4 GR5	2
5	5000-P	SADDLE ASM, MORCINCH, MOR	1
6	55-P	WASHER, 3/4 SAE FL 1-1/2 OD	1
7	64-P	ROLL PIN, 3/16 X 1-1/4	1
8	4364-P	HHCS, 1/2-13 X 1" GR2	1
9	351-P	MOTOR, HYDRAULIC HYD, 400, 456	1
10	32-P	SPROCKET #40D 32T, 1" BORE	1
11	27-P	SPUR GEAR W/ 1" SHAFT, HD TYPE	1
12	13-P	SPROCKET #35 36T, 3/4" BORE	1
13	14-P	GEAR, PINION, 7 TOOTH	1
14	735-P	KEY, WOODRUFF, SIZE 9, ASA606	1

15	15-P	COLLAR, 3/4" ID	1
16	736-P	KEY, WOODRUFF, SIZE 15, ASA808	2
17	29-P	SPACER, SPUR GEAR .15"	1
18	4372-P	SPACER, HD DRIVE SHAFT 1.4"	1
19	31-P	CHAIN, ROLLER, #40D W/ M. LINK	1
20	12-P	CHAIN, ROLLER, #35 W/ M LINK, PT	1
21	1657-P	HHCS, 3/8-16 X 3/4 GR2	4
22	2120-P	HYD FIT, MALE CONNECTOR, 400	2
23	2656-P	KEY, SQUARE, 1/4 X 1"	1
24	1116-P	SPROCKET #35 17T, 1" BORE	1
25	1755-P	COVER HALF SQ, NO HOLES 400 PT	1
26	193-P	SCREW, 12-14 X 3/4 3 PT TEK	10
27	1779B-P	POWER ARM, W/ BEARINGS 400 PT	1
28	1772-P	COVER HALF SQ, 1 HOLE, 400 PT	1
29	30-P	SPROCKET #40D 16T, 1" BORE	1