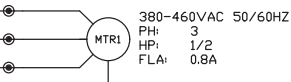
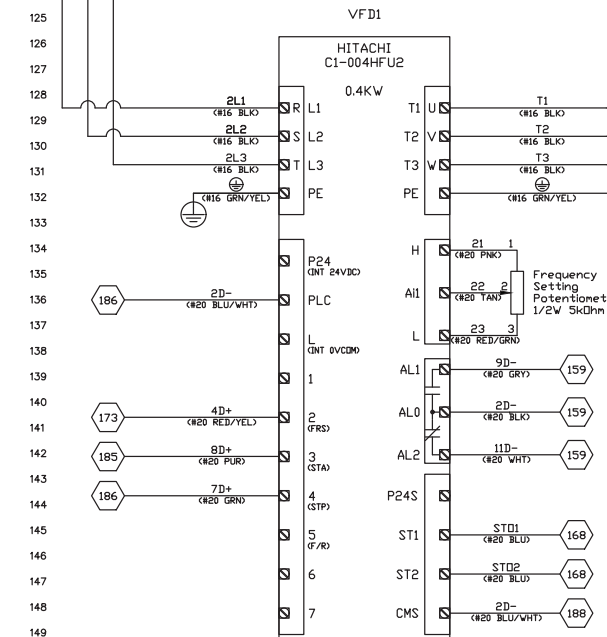


*MANUFACTURER	*PART NUMBER	DESCRIPTION	QUANTITY
Autonics	LE4S	Digital Timer, 24-240VAC/VDC, Relay Output	1
Autonics	PG-08	8-Pin Socket	1
Eurobox (EXM)	5412 ES161608	Enclosure, NEMA 4-12, 16" x 16" x 8"	1
Hitachi	C1-004HFU2	Hitachi VFD-C1 VFD, 0.4KW @ 460VAC 3-PHASE	1
Iboco	T1-0510G	WIRE DUCT	1
Iboco	OMEGA 3FAL1	DIN Rail	1
Schmersal	SRB-E-201LC	Safety Relay Module	1
Sprecher+Schuh	FLEX00248	Power Supply, Input 230/460VAC, Output 24VDC @ 5A	1
Sprecher+Schuh	D7P-E202PX01	Pushbutton, Extended Black "STOP", 1NC	1
Sprecher+Schuh	D7P-F301PX10	Pushbutton, Flush Green "START", 1NO	1
Sprecher+Schuh	D7P-MT44	E-Stop Operator, Twist-To-Release, 40mm	1
Sprecher+Schuh	D7-ALP	Latch, Plastic	1
Sprecher+Schuh	D7-X01	Contact Block, NC	2
Sprecher+Schuh	D7P-POTS5A	Potentiometer, 5K	1
Sprecher+Schuh	D7-15YSE112	E-Stop Inscription Ring	1
Sprecher+Schuh	LA7-16-1753	Base Mounted 3 Pole Switch	1
Sprecher+Schuh	LP52-G-175	Switch Handle Assembly	1
Sprecher+Schuh	LA2-G3393	Metal Operating Shaft	1
Sprecher+Schuh	LS-10/3/D	Circuit Breaker, 10Amp, D-Curve	1
Sprecher+Schuh	LS-5/2/B	Circuit Breaker, 5 Amp, B-Curve	1
Sprecher+Schuh	LS-2/1/B	Circuit Breaker, 2 Amp, B-Curve	1
Sprecher+Schuh	V7-WG4	Ground Terminal	2
Sprecher+Schuh	V7-W4	Terminal	7
Sprecher+Schuh	V7-4M4	Terminal	7
Sprecher+Schuh	V7-EA35	End Anchor	9
Sprecher+Schuh	V7-EB3	End Barrier	1
Sprecher+Schuh	V7-EBD3	End Barrier	2
Sprecher+Schuh	V7-PP3	Partition	1
Sprecher+Schuh	V7-SM6X9	Marker Card	1
Sprecher+Schuh	V7-SM6X12	Marker Card	1
Sprecher+Schuh	V7-CID6-10	Center Jumper	1
		Electrical Hazard Warning Label	1
		Legend Plate, 0.75" x 0.75", "0/STOP"	1
		Legend Plate, 0.75" x 0.75", "1/START"	1
		Legend Plate, 0.75" x 2.00", "MOTOR SPEED CONTROL"	1

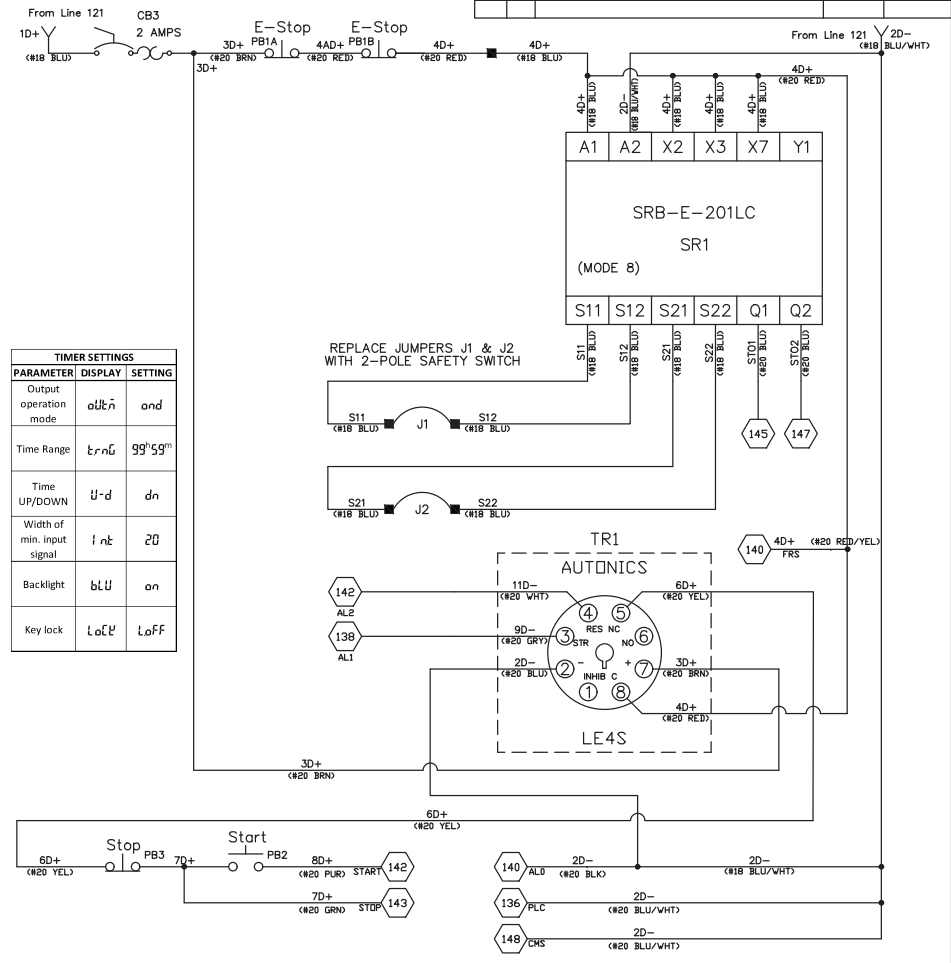
PARAMETERS (FROM DEFAULT)

AA101	01	SPEED INPUT SOURCE SELECTION
AA111	01	RUN COMMAND INPUT SOURCE
AC120	6.00	ACCELERATION TIME
AC122	2.00	DECELERATION TIME
BC110	1.8	LEVEL OF ELECTRONIC THERMAL OVERLOAD
CA-01	000	INPUT (1) FUNCTION
CA-02	032	INPUT (2) FUNCTION
CA-03	016	INPUT (3) FUNCTION
CA-04	017	INPUT (4) FUNCTION
CA-05	018	INPUT (5) FUNCTION
CA-06	000	INPUT (6) FUNCTION
CA-07	000	INPUT (7) FUNCTION
CA-22	01	INPUT (2) ACTIVE STATE
CB-03	10.00	A11 START VALUE
CB-31	94	A11 VOLTAGE/CURRENT GAIN ADJUSTMENT
CC-07	001	ALARM RELAY FUNCTION
CC-17	00	ALARM RELAY ACTIVE STATE
HB105	90.00	MAXIMUM FREQUENCY



150  
151  
152  
153  
154  
155  
156  
157  
158  
159  
160  
161  
162  
163  
164  
165  
166  
167  
168  
169  
170  
171  
172  
173  
174  
175  
176  
177  
178  
179  
180  
181  
182  
183  
184  
185  
186  
187  
188  
189  
190  
191  
192  
193  
194  
195  
196  
197  
198  
199

REVISIONS				
ZONE	REV	DESCRIPTION	DATE	APPROVED
N/A	01	TIMER SETTING CHANGE	12/11/19	PCW
N/A	02	Electrical Circuit & BDM Revision (Safety Relay)	05/18/26	PCW



TIMER SETTINGS		
PARAMETER	DISPLAY	SETTING
Output operation mode	oU n	o n d
Time Range	t r n C	99'59"
Time UP/DOWN	U - d	d n
Width of min. input signal	i n t	20
Backlight	b l U	o n
Key lock	L o C k	L o F F

DRAWN BY PCW	<p><b>MORSE</b> The Specialist In Drum Handling Equipment</p> <p>103 Kuhn Rd, Syracuse, NY 13208 PHONE 315-564-4347 FAX 315-437-1029</p>	DATE CHG 05/18/2026
CHKD BY PCW		TITLE MORSE 5897-P (ELECTRICAL)
DATE DRAWN 09/13/2017		DWG NO. AACI091317A
DATE CHG 05/18/2026		SHEET 1 of 1

THIS MATERIAL IS THE EXCLUSIVE PROPERTY OF MORSE MANUFACTURING COMPANY INC. AND SHALL BE RETURNED TO MORSE MANUFACTURING COMPANY INC. IMMEDIATELY UPON REQUEST. THIS MATERIAL IS UNCLASSIFIED UNLESS OTHERWISE INDICATED. ALL INFORMATION CONTAINED HEREIN IS UNCLASSIFIED EXCEPT WHERE SHOWN OTHERWISE. DATE OF DECLASSIFICATION: 05/18/2026. UNCLASSIFIED BY: [REDACTED]