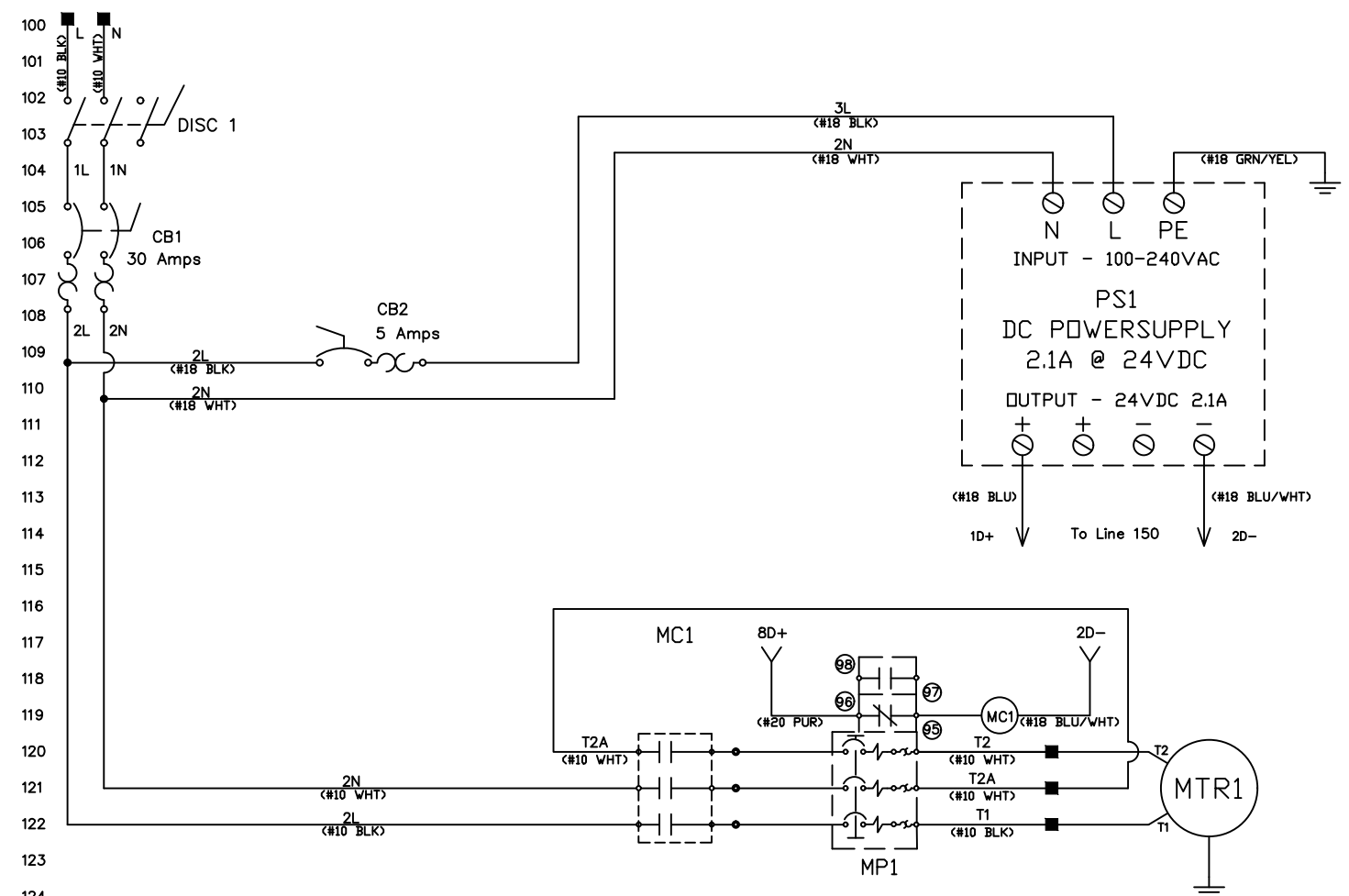


MAINS POWER
110-120 VAC 1 Phase
30 AMP

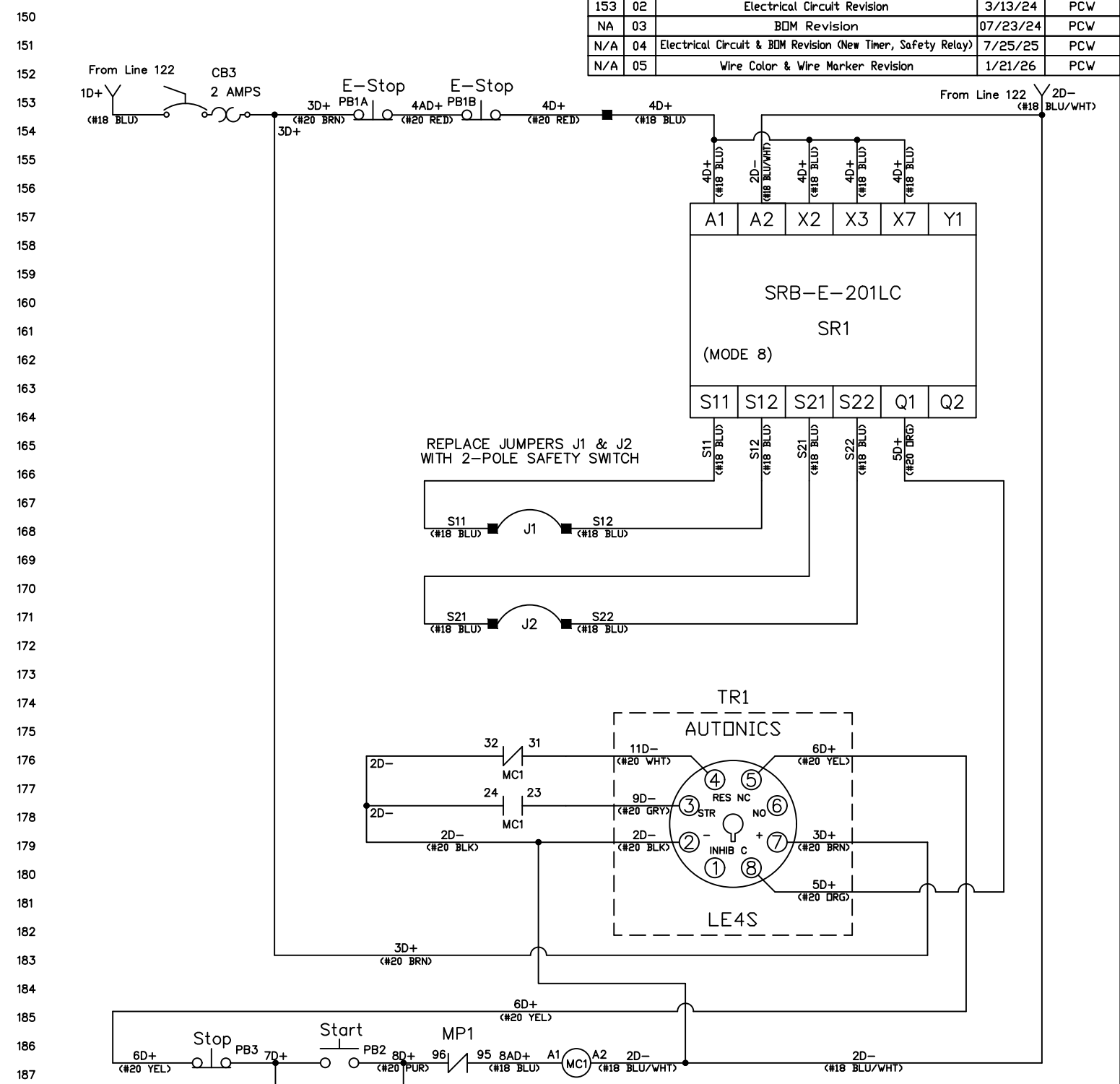


*MANUFACTURER	*PART NUMBER	DESCRIPTION	QUANTITY
Iboco	T1-0510G	WIRE DUCT	1
Iboco	OMEGA 3FAL1	DIN Rail	1
Eurobex (EXM)	5412 ESCH141208	Enclosure, NEMA 4-12, 14" x 12" x 8"	1
		Electrical Hazard Warning Label	1
Mencom	PCG-1/2X	Cable Gland	1
Mencom	PCG-1/2E	Cable Gland	2
Mencom	212PA	Nut	3
Autonics	LE4S	Digital Timer, 24-240VAC/VDC, Relay Output	1
Autonics	PG-08	8-Pin Socket	1
Lutze	DRAN60-24A	Power Supply, Input 100-240VAC, Output 24VDC, 60W	1
Schmersal	SRB-E-201LC	Safety Relay Module	1
Sprecher+Schuh	CA7-23E-10-24E	Contact	1
Sprecher+Schuh	CA7-PV-S11	Auxiliary Contact Block, 1NO/1NC	1
Sprecher+Schuh	CT7N-23-C25	Overload Relay 21 to 25A	1
Sprecher+Schuh	D7P-E202PX01	Pushbutton, Extended Black "STOP", 1NC	1
Sprecher+Schuh	D7P-F301PX10	Pushbutton, Flush Green "START", 1NO	1
Sprecher+Schuh	D7P-MT44	E-Stop Operator, Twist-To-Release, 40mm	1
Sprecher+Schuh	D7-ALP	Latch, Plastic	1
Sprecher+Schuh	D7-X01	Contact Block, NC	2
Sprecher+Schuh	D7-15YSE112	E-Stop Inscription Ring	1
Sprecher+Schuh	LA7-40-1753	Base Mounted 3 Pole Switch	1
Sprecher+Schuh	LFS2-G-6-175	Switch Handle Assembly	1
Sprecher+Schuh	LA2-G3393	Metal Operating Shaft	1
Sprecher+Schuh	L9-30/2/D	Circuit Breaker, 30Amp, D-Curve	1
Sprecher+Schuh	L8-5/1/B	Circuit Breaker, 5 Amp, B-Curve	1
Sprecher+Schuh	L8-2/1/B	Circuit Breaker, 2 Amp, B-Curve	1
Sprecher+Schuh	V7-WG6	Ground Terminal	1
Sprecher+Schuh	V7-W6	Terminal	4
Sprecher+Schuh	V7-W4	Terminal	1
Sprecher+Schuh	V7-WD4	Terminal	4
Sprecher+Schuh	V7-EA35	End Anchor	10
Sprecher+Schuh	V7-EB3	End Barrier	1
Sprecher+Schuh	V7-EBD3	End Barrier	2
Sprecher+Schuh	V7-PP3	Partition	1
Sprecher+Schuh	V7-SM6X9	Marker Card	1
Sprecher+Schuh	V7-SM6X12	Marker Card	1
Sprecher+Schuh	V7-CJD6-2	Center Jumper	1
		Legend Plate, 0.75" x 0.75", "0/STOP"	1
		Legend Plate, 0.75" x 0.75", "I/START"	1

*FUNCTIONALLY EQUIVALENT COMPONENTS MAY BE SUBSTITUTED

TIMER SETTINGS		
PARAMETER	DISPLAY	SETTING
Output operation mode	o u t	o n d
Time Range	t r n d	99 ^h 59 ^m
Time UP/DOWN	u - d	o n
Width of min. input signal	i n t	20
Backlight	b l u	o n
Key lock	l o c k	l o f f

REVISIONS				
ZONE	REV	DESCRIPTION	DATE	APPROVED
N/A	01	Electrical Circuit & BDM Revision	7/20/22	PCW
153	02	Electrical Circuit Revision	3/13/24	PCW
NA	03	BDM Revision	07/23/24	PCW
N/A	04	Electrical Circuit & BDM Revision (New Timer, Safety Relay)	7/25/25	PCW
N/A	05	Wire Color & Wire Marker Revision	1/21/26	PCW



DRAWN BY	PCW
CHKD BY	PCW
DATE DRAWN	03/30/22
DATE CHKD	01/21/26



103 Kuhn Rd, Syracuse, NY 13208
PHONE 315-564-4347 FAX 315-437-1029

THIS MATERIAL IS THE EXCLUSIVE PROPERTY OF MORSE MANUFACTURING COMPANY INC. AND MUST BE RETURNED TO MORSE IMMEDIATELY UPON REQUEST. THIS MATERIAL AND INFORMATION ILLUSTRATED OR CONTAINED HEREIN MAY NOT BE REPRODUCED, COPIED, USED, OR TRANSMITTED IN WHOLE OR IN PART IN ANY WAY WITHOUT THE PRIOR WRITTEN CONSENT OF MORSE MANUFACTURING COMPANY INC.