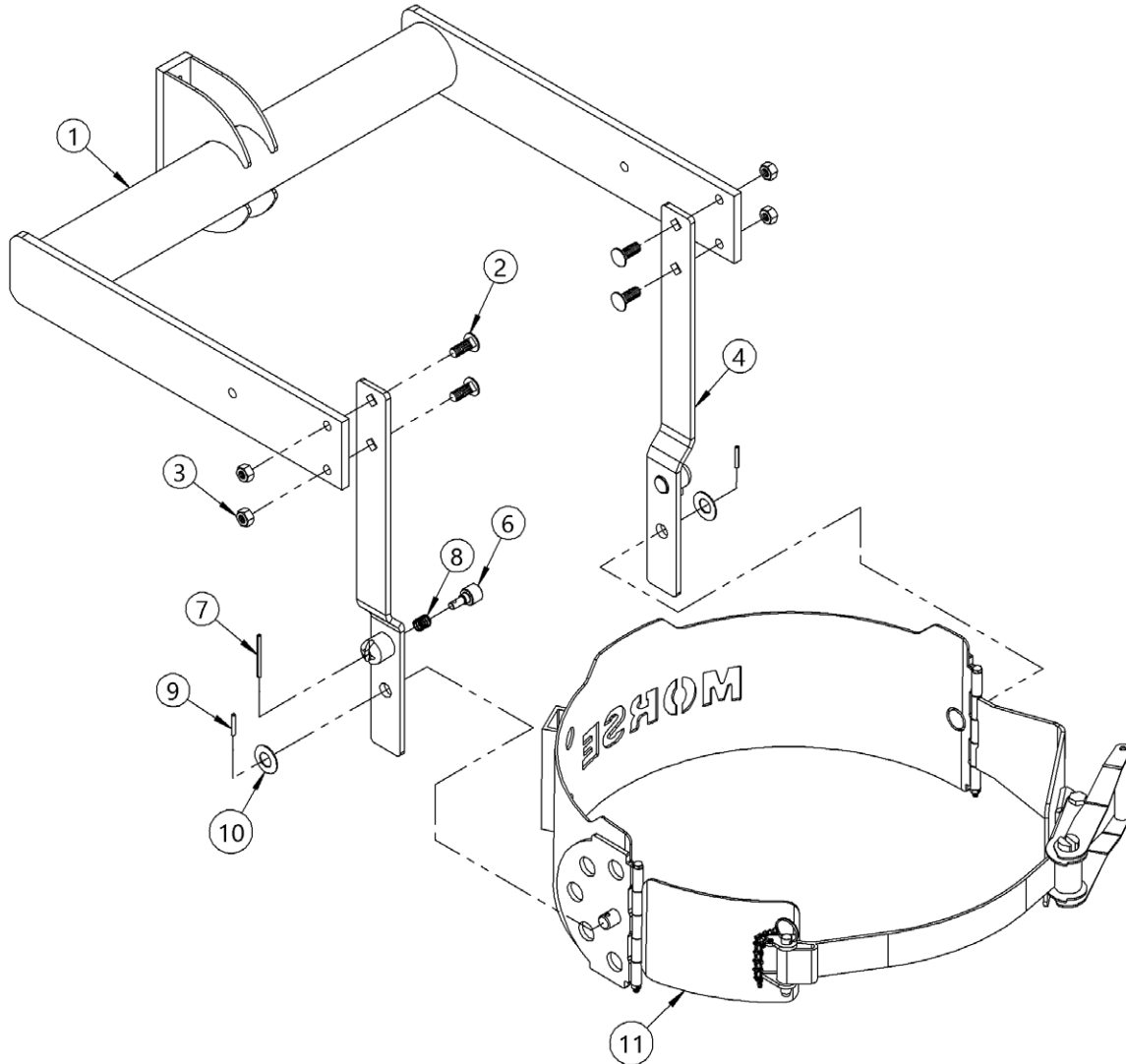


Parts Diagram for Part # 6036SS-P
Overhead Assembly for Morse 82A-SS Series Stainless Steel Mobile-Karrier / Palletizer
Serial Number 0217 to ____ (MMYY)



ITEM NO.	PART NUMBER	DESCRIPTION	QTY.
1	6037SS-P	OVERHEAD WELD, 82A-SS	1
2	805SS-P	BOLT 1/2-13 X 1.25 CARRIAGE SS	4
3	810SS-P	NUT, 1/2-13 NYLON LOCK, SS	4
4	6033SS-P	LINK ASM, 80i-SS	2
6	59SS-P	PLUNGER, 80i-SS, 85i-SS	1
7	61SS-P	ROLL PIN, 3/16 X 2-1/2 SS	1
8	60SS-P	SPRING, PLUNGER, SS	1
9	64SS-P	ROLL PIN, 3/16 X 1-1/4, SS	2
10	55SS-P	WASHER, 3/4 SAE FL 1-1/2 OD SS	2
11	102ZSS-P	SADDLE ASM, 11GA, I-SS	1