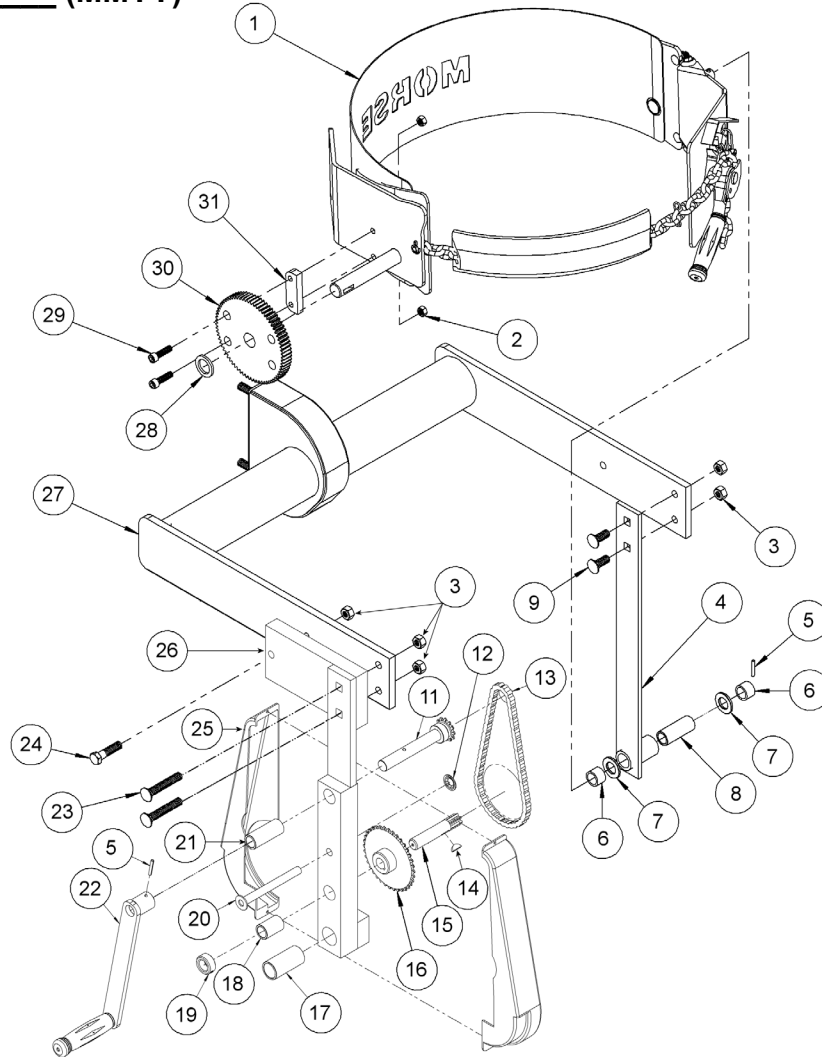


Parts Diagram for Part # 6040-P Overhead Assembly used on 82A-GT Series
Serial Number 0217 to ____ (MMYY)



ITEM	QTY.	PART #	DESCRIPTION
1	1	5000-P	SADDLE ASM, MORCINCH, MOR
2	2	1169-P	NUT, 3/8-16 REV HEX LOCK
3	5	810-P	NUT, 1/2-13 REV HEX LOCK
4	1	6041B-P	IDLER ARM W/ BRG, 82A-GT
5*	2	64-P	ROLL PIN, 3/16 X 1-1/4
6	2	1411-P	SPACER, SHAFT W/ 12T SPROCKET
7	2	55-P	WASHER, 3/4 SAE FL 1-1/2 OD
8*	1	19-P	BEARING, 3/4" ID X 2-1/2"
9	2	805-P	BOLT, 1/2-13 X 1-1/4 CARRIAGE
11*	1	5135-P	SHAFT, 12T SPROCKET & SPACER
12*	1	718-P	NUT, PUSH, 1/2"
13*	1	12-P	CHAIN, ROLLER, #35 W/ M LINK
14*	1	735-P	KEY, WOODRUFF, SIZE 9, ASA606
15*	1	14-P	GEAR, PINION, 7 TOOTH
16*	1	13-P	SPROCKET #35 36T, 3/4" BORE

ITEM	QTY.	PART #	DESCRIPTION
17*	1	18-P	BEARING, 1" ID X 2-1/2"
18*	1	7-P	BEARING, 3/4" ID X 1-1/2"
19	1	15-P	COLLAR, 3/4" ID
20*	1	100-P	STOP PIN, HAND CRANK, 1/2 X 5
21*	1	19-P	BEARING, 3/4" ID X 2-1/2"
22*	1	5U-P	HAND CRANK, W/ SOCKET TUBE
23	2	806-P	BOLT, 1/2-13 X 3 CARRIAGE
24	1	1168-P	HHCS, 1/2-13 X 2 GR2
25	1	4285-P	COVER SET, BLK POLY 30:1 REG
26	1	6043W-P	POWER ARM WELD, BOLT ON 82A-GT
27	1	6037-P	OVERHEAD WELD, 82A, 82A-GT
28	1	29-P	SPACER, SPUR GEAR .15"
29	2	4370-P	SHCS, 3/8-16 X 1-3/8
30*	1	23-P	GEAR, SPUR, 72T, 1" HOLE
31	1	4473-P	SPACER, SPUR GEAR, MOR

* Recommended spare parts.