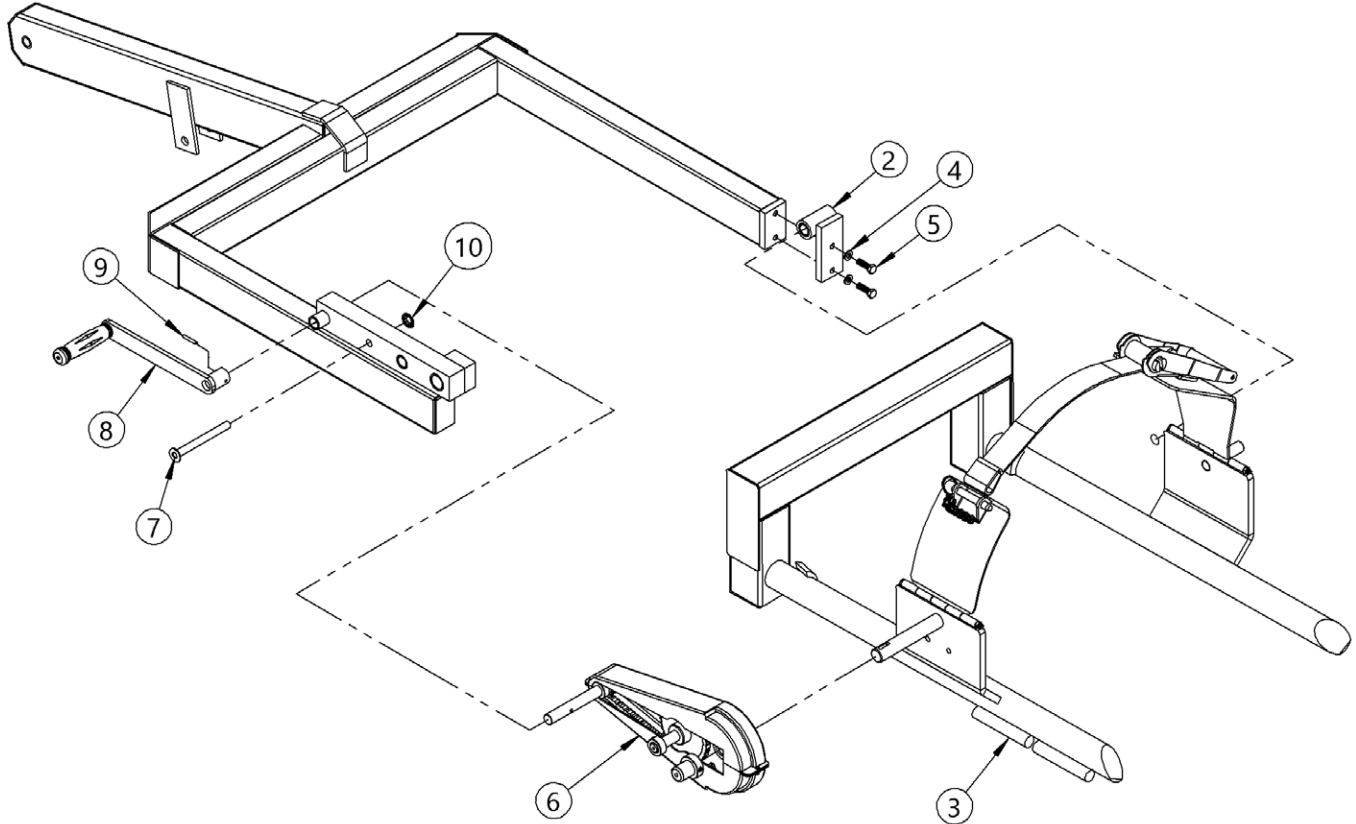


**Parts Diagram for Manual Tilt Overhead Assembly of Morse Omni-Lift Karrier 405 Series
 Serial Number 0617 to ____ (MMYY)**



| ITEM NO. | PART NUMBER | DESCRIPTION | QTY. |
|----------|------------------------------------------------------------|--------------------------------|------|
| 2 | 3849B-P | BEARING ASM, SLIDING IDLER | 1 |
| 3 | 6130-P | SADDLE ASM, STRAP, 405 | 1 |
| 4 | 1474-P | WASHER, 3/8 SPLIT LOCK | 2 |
| 5 | 535-P | HHCS, 3/8-16 X 1-1/4 GR 5 ZINC | 2 |
| 6 | NOT SOLD SEPARATELY - SEE POWER TRAIN PARTS DIAGRAM | | |
| 7 | 100-P | STOP PIN, HAND CRANK, 1/2 X 5 | 1 |
| 8 | 5U-P | HAND CRANK, W/ SOCKET TUBE | 1 |
| 9 | 64-P | ROLL PIN, 3/16 X 1-1/4 | 1 |
| 10 | 718-P | NUT, PUSH, 1/2" | 1 |