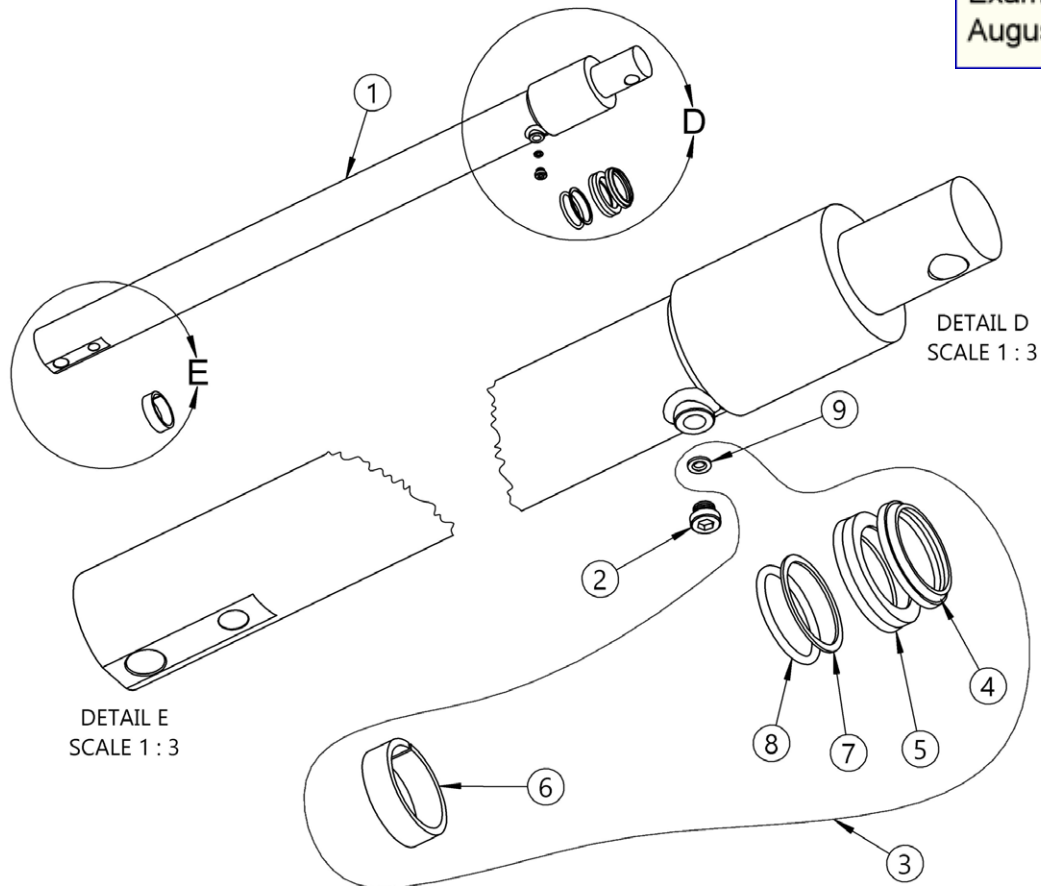


Replacement Parts List for Morse Part # 783-P Hydraulic Cylinder

Used on 400A-60, 400A-72 and 405 Series with serial number 1013 to ____ (MMYY)

Note: Stroke is 22-5/8" (57.5 cm)
Length Closed: 30-3/8" (77.2 cm) Center to Center
Length Fully Extended: 53" (134.6 cm) Center to Center

 **IMPORTANT NOTE**
4-Digit serial numbers are simply the month & year of manufacture
Example: 0802 is August 2002



ITEM	PART #	DESCRIPTION	QTY.
1	783-P	CYLINDER, 1.5 X 22.625, V FUSE	1
2	5890-P	BLEEDER SCREW, SAE-4 PORT, BM	1
3	5349-P	KIT, SEAL, 1-1/2 CYL 783-P BM (INCLUDES ITEMS 4, 5, 6, 7, 8, & 9)	1
4	6352-P	ROD WIPER, HALLITE BLUE 783-P (NOT SOLD SEPARATELY)	1
5	6353-P	SEAL, DYNAMIC, U-CUP, 783-P (NOT SOLD SEPARATELY)	1
6	6356-P	WEAR RING, 783-P (NOT SOLD SEPARATELY)	1
7	6354-P	WASHER, BACKUP, NITRILE 783-P (NOT SOLD SEPARATELY)	1
8	6355-P	SEAL O-RING, NITRILE 783-P (NOT SOLD SEPARATELY)	1
9	6357-P	SEAL, STATIC, 0.385 OD 783-P (NOT SOLD SEPARATELY)	1