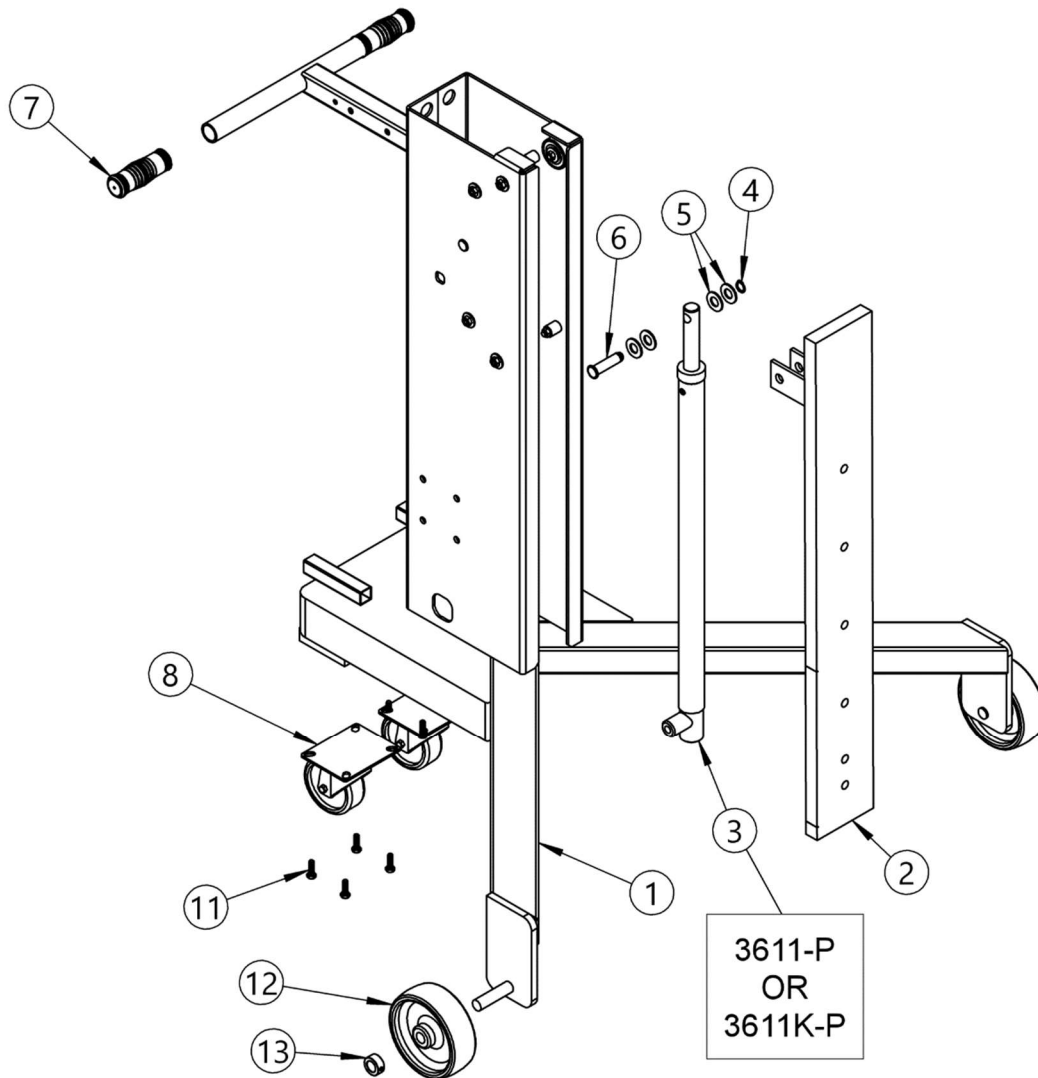


Assembly 82F-P

Base Assembly, 82 and 825 Series

SN 0820 to Current (MMYY) or 412386 to Current

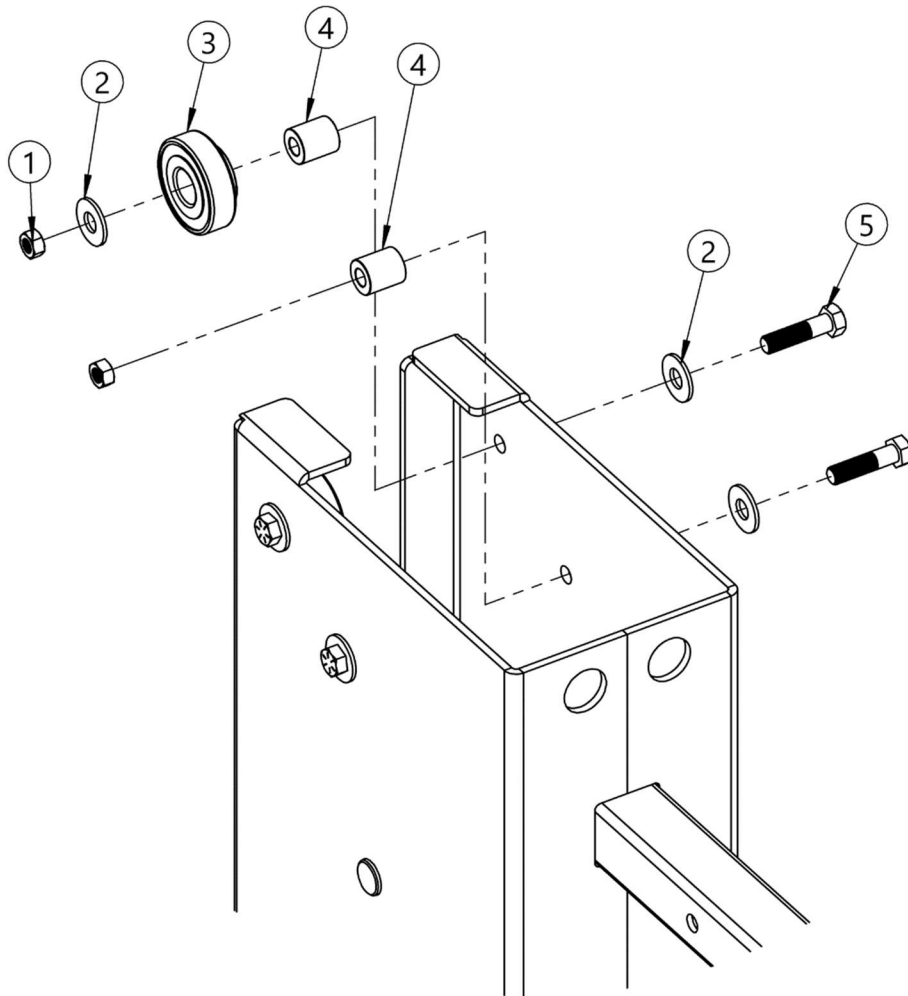


ITEM	QTY.	PART NUMBER	DESCRIPTION
1	1	5799-P	FRAME WELD, 82 SERIES
2	1	5177-P	RISER WELD, 82 SERIES
3	1	3611-P	CYLINDER, 1 X 24, SAE 82
		3611K-P	CYLINDER, 1 X 24, SAE 82 KFP
4	1	5347-P	SNAP RING, EXT, HD, .05, 5/8"
5	4	17-P	WASHER, 5/8 SAE FL 1-5/16 OD
6	1	5570-P	PIN, GROOVE, 5/8 X 2.125 C
7	2	83-P	GRIP, HANDLE, 1-1/4 X 4-1/2
8	2	3308-P	CASTER, 4" SWIVEL, DBL RACE
11	8	6086-P	BOLT, 5/16-18 X 5/8 WHIZ
12	2	8160-P	WHEEL, 6", 3/4" BRG, 81, 82
13	2	15-P	COLLAR, 3/4" ID

Assembly 82F-P

Base Assembly, 82 and 825 Series

SN 0820 to Current (MMYY) or 412386 to Current



BEARING DETAIL

ITEM	QTY.	PART NUMBER	DESCRIPTION
1	8	6443-P	NUT, 3/8-24 REV HEX LOCK
2	16	1166-P	WASHER, 3/8 USS 1" OD, ZINC
3	4	5208-P	BEARING, 3/4 ID, SEALED
4	4	6438-P	SHAFT, BEARING, 82, BOLT ON
5	8	6442-P	HHCS, 3/8-24 X 1-1/2" GR8