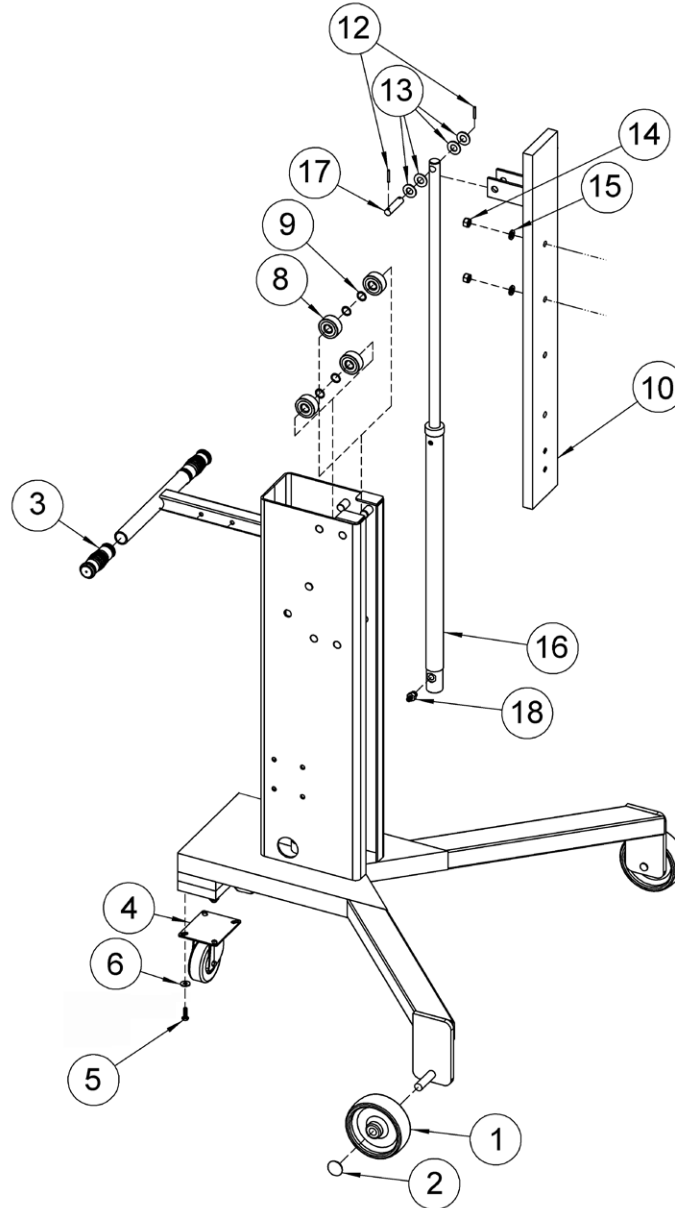


Parts Diagram for Part # 82FSS-P
Stainless Steel Base Assembly of Morse 82 Series Mobile-Karrier / Palletizer
Serial Number 0313 to 0219 (MMYY)



ITEM	QTY.	PART #	DESCRIPTION
1*	2	8160-P	WHEEL, 6", 3/4" BRG, 81, 82
2*	2	15SS-P	COLLAR, 3/4" ID, SS
3	2	83-P	GRIP, HANDLE, 1-1/4 X 4-1/2
4*	2	3308-P	CASTER, 4" SWIVEL, DBL RACE
5	8	35SS-P	HHCS, 5/16-18 X 1, SS
6	8	1570SS-P	WASHER, 5/16 SAE 3/4 OD, SS
8*	4	5208-P	BEARING, 3/4 ID, SEALED
9	4	5330SS-P	SNAP RING, EXT, SS, 3/4"

ITEM	QTY.	PART #	DESCRIPTION
10	1	5177SS-P	RISER WELD, 82, SS
12	2	64SS-P	ROLL PIN, 3/16 X 1-1/4, SS
13	4	17SS-P	WASHER, 5/8 SAE 1-5/16 OD, SS
14	2	91SS-P	NUT, 1/2-13 FIN HEX, SS
15	2	1644SS-P	WASHER, 1/2 SPLIT LOCK, SS
16	1	3611-P	CYLINDER, 1 X 24, SAE 82
17	1	8260SS-P	PIN, CLEVIS, CYL, 5/8, 82 SS
18	1	3612-P	HYD FIT, SAE ADAPTER

* Recommended spare parts.