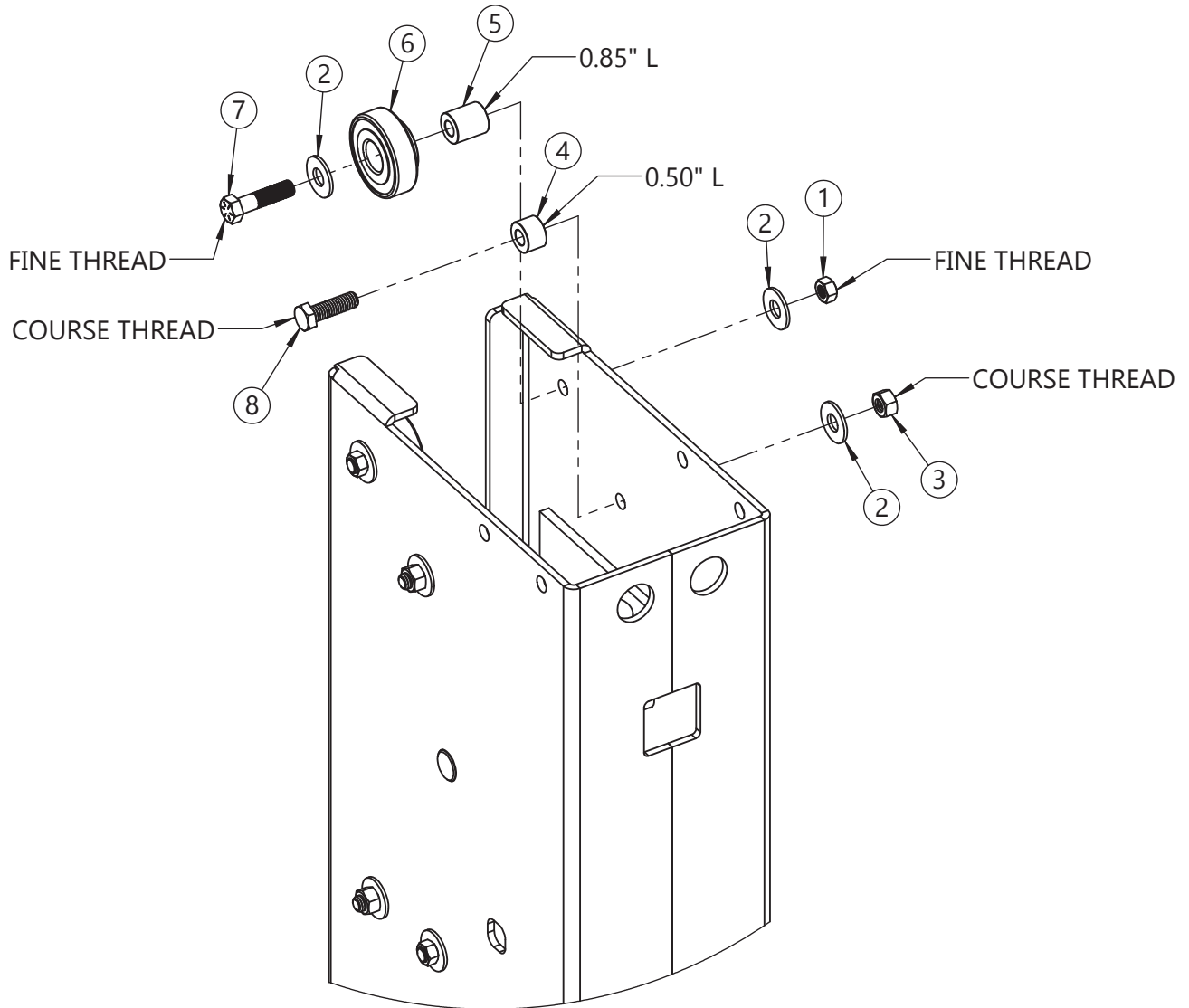


ITEM NO.	PART NUMBER	DESCRIPTION	QTY.
1	5799XR-P	FRAME WELD, 82H-XR	1
2	1572-P	HHCS, 3/8-16 X 1 GR2 ZINC	4
3	3981-P	NUT, 3/8-16 NYLON LOCK	4
4	2386-P	FLOOR LOCK, STEP DOWN 5-3/4"	1
5	3049-P	CASTER, 6" SWIVEL, VERT LIFT	2
6	4002-P	NUT, 3/8-16 WHIZ LOCK	8
7	4003-P	BOLT, 3/8-16 X 1-1/4 WHIZ	8
8	87-P	WHEEL, MORTUF, 8", 3/4" BRG	2
9	15-P	COLLAR, 3/4" ID	2
10	5177-P	RISER WELD, 82 SERIES	1
11	3611K-P	CYLINDER, 1 X 24, SAE 82	1
12	5570-P	PIN, GROOVE, 5/8 X 2.125	1
13	17-P	WASHER, 5/8 SAE FL 1-5/16 OD	4
14	5347-P	SNAP RING, EXT, HD, .05, 5/8"	1

BEARING DETAIL



BEARING DETAIL

ITEM NO.	PART NUMBER	DESCRIPTION	QTY.
1	6443-P	NUT, 3/8-24 REV HEX LOCK	4
2	1166-P	WASHER, 3/8 USS 1" OD, ZINC	12
3	1169-P	NUT, 3/8-16 REV HEX LOCK	4
4	6884-P	STOP, RISER, 825 SERIES	4
5	6438-P	SHAFT, BEARING, 82, BOLT ON	4
6	5208-P	BEARING, 3/4 ID, SEALED	4
7	6442-P	HHCS, 3/8-24 X 1-1/2" GR8	4
8	535-P	HHCS, 3/8-16 X 1-1/4 GR 5 ZINC	4