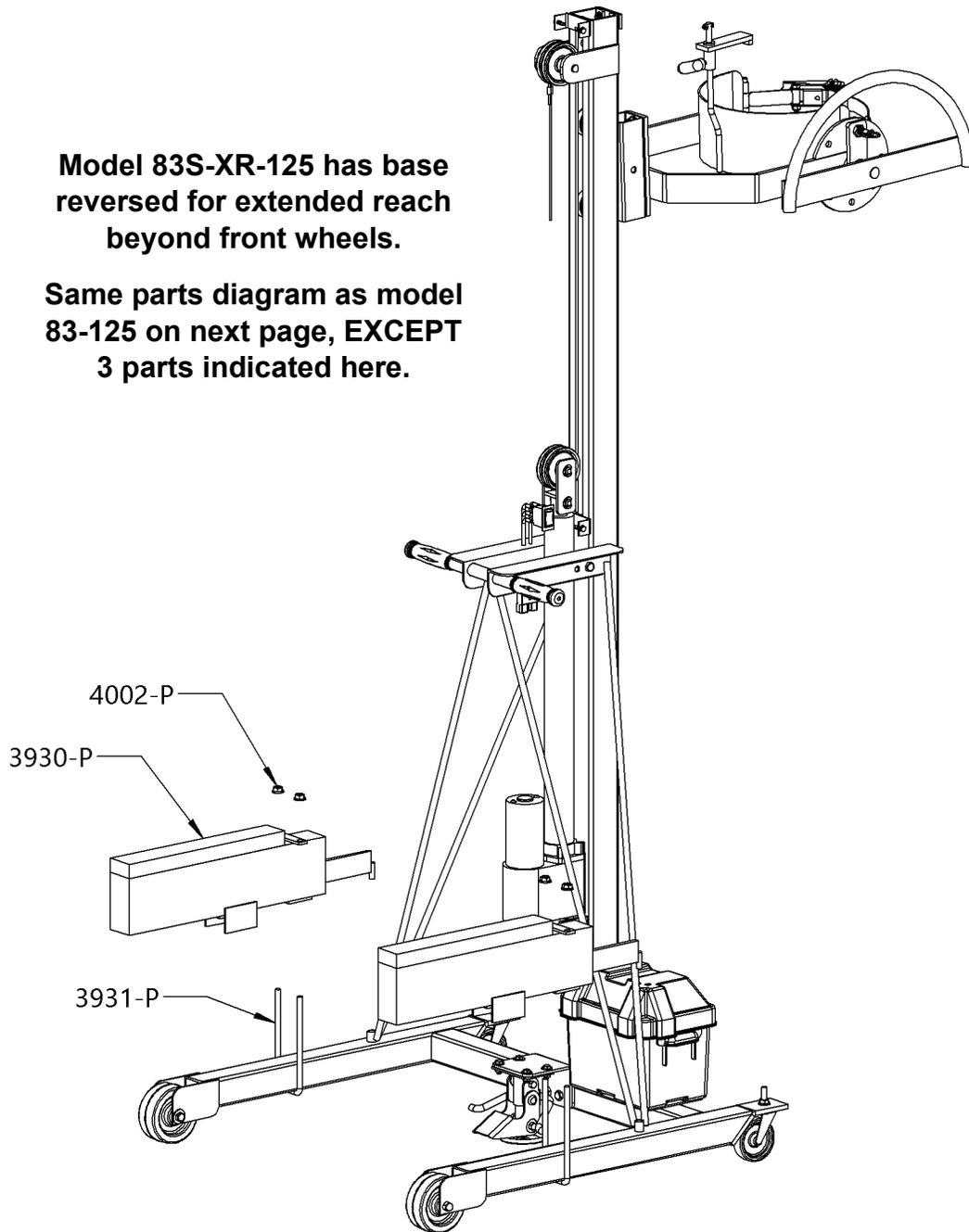
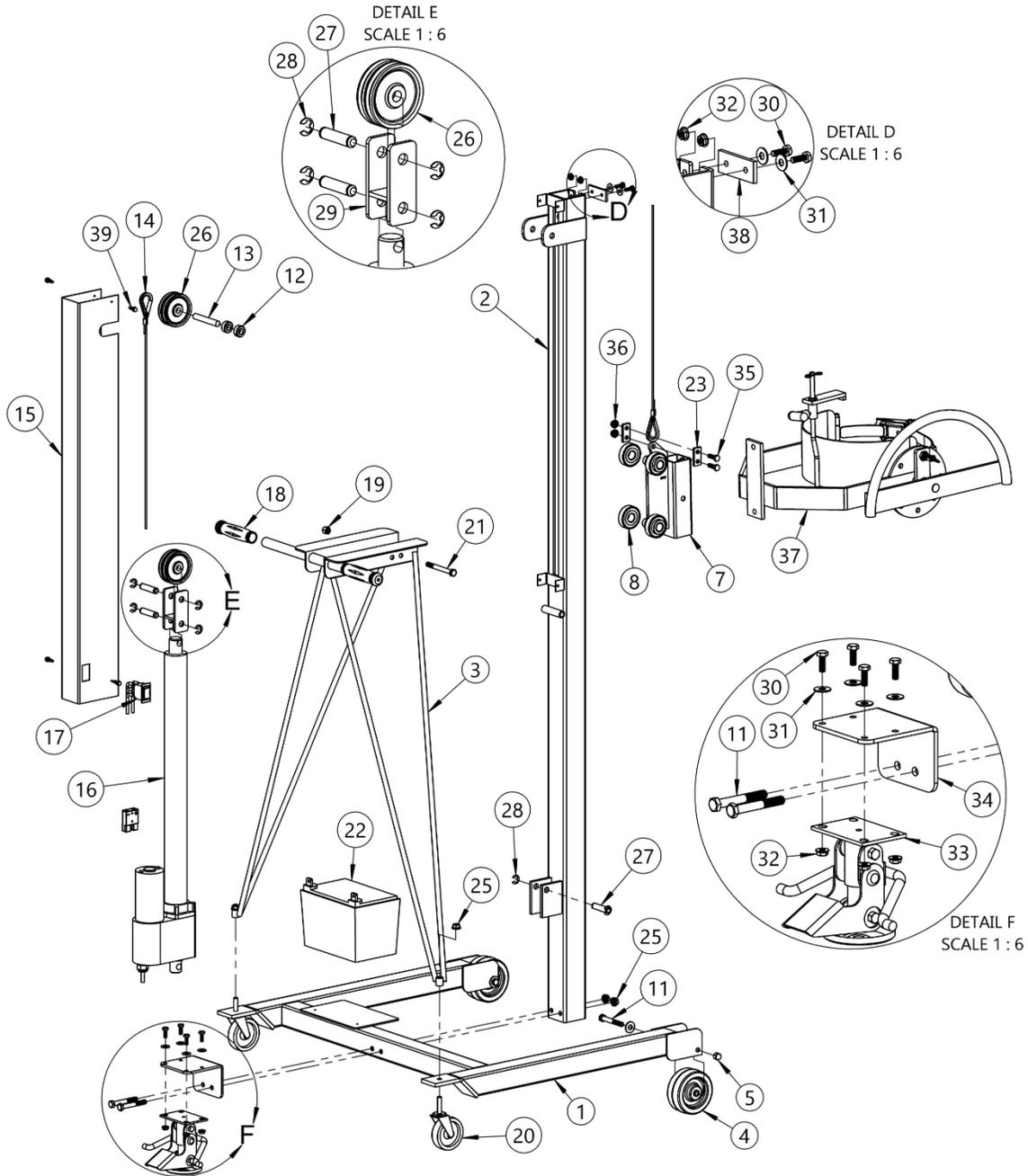


Model 83S-XR-125 has base reversed for extended reach beyond front wheels.

Same parts diagram as model 83-125 on next page, EXCEPT 3 parts indicated here.



QTY.	PART NUMBER	DESCRIPTION
4	4002-P	NUT, 3/8-16 WHIZ LOCK
2	3930-P	KIT, COUNTERWEIGHT, 83 CW PAIR
2	3931-P	U-BOLT, COUNTERWEIGHT, 83 CW



ITEM	QTY.	PART NUMBER	DESCRIPTION
1	1	3790-P	BASE WELD, 83
2	1	6672-P	MAST WELD, 83
3	1	4358-P	HANDLE WELD, 83
4	2	3885-P	WHEEL, 4 X 1-1/2, 83
5	2	3921-P	NUT, 3/8-16 ACORN
6	1	6815-P	TROLLEY ASM, 83
7	1	4085W-P	TROLLEY WELD, 83

8	4	5208-P	BEARING, 3/4 ID, SEALED
9	2	1572-P	HHCS, 3/8-16 X 1 GR2 ZINC
10	2	4002-P	NUT, 3/8-16 WHIZ LOCK
11	4	1315-P	HHCS, 3/8-16 X 2-3/4 GR2
12	2	1035-P	COLLAR, 1/2" ID
13	1	3803-P	SHAFT, TOP PULLEY, 83-125
14	2	6805-P	WIRE CABLE CPT, 1/8", 83-125
15	1	6562-P	COVER, ACT, 83-125, LC
16	1	6522C-P	ACTUATOR, 12V DC, 20" 83-125
17	1	6808-P	SWITCH, WIRED, 83-125
18	2	136-P	GRIP, HANDLE 7/8" X 4-3/4"
19	6	3981-P	NUT, 3/8-16 NYLON LOCK
20	2	3789-P	CASTER, 3" SWIVEL, STEM, 83
21	1	4381-P	HHCS, 3/8-16 X 3-1/2 GR5
22	1	6563-P	BATTERY, 12V, U1, 83-125
23	2	6756-P	LINK, CONNECTING, 83-125
24	1	6567-P	PLATE, BATTERY MOUNT, U1 SIZE
25	4	4002-P	NUT, 3/8-16 WHIZ LOCK
26	4	3798-P	SHEAVE, 3" POLY, 83
27	3	3352-P	PIN, GROOVE, 1/2 X 1.836 C LDH
28	6	3461-P	E CLIP, 1/2"
29	1	6571-P	CLEVIS WELD, PULLEY, 83-125
30	6	1714-P	HHCS, 1/4-20 X 3/4 GR2
31	6	1866-P	WASHER, 1/4 USS 3/4 OD
32	6	3923-P	NUT, 1/4-20 WHIZ LOCK
33	1	6790-P	FLOOR LOCK, STEP DOWN 4.94"
34	1	6778-P	MOUNT BRACKET, FLOOR LOCK 83
35	2	35-P	HHCS, 5/16-18 X 1 GR2
36	2	1634-P	NUT, 5/16-18 WHIZ LOCK
37	1	6814-P	YOKE ASM, 83
38	1	6816-P	BRACE, MAST TOP, 83
39	4	193-P	SCREW, TEK, 12-14 X 3/4 3 PT
40	2	1166-P	WASHER, 3/8 USS 1" OD, ZINC