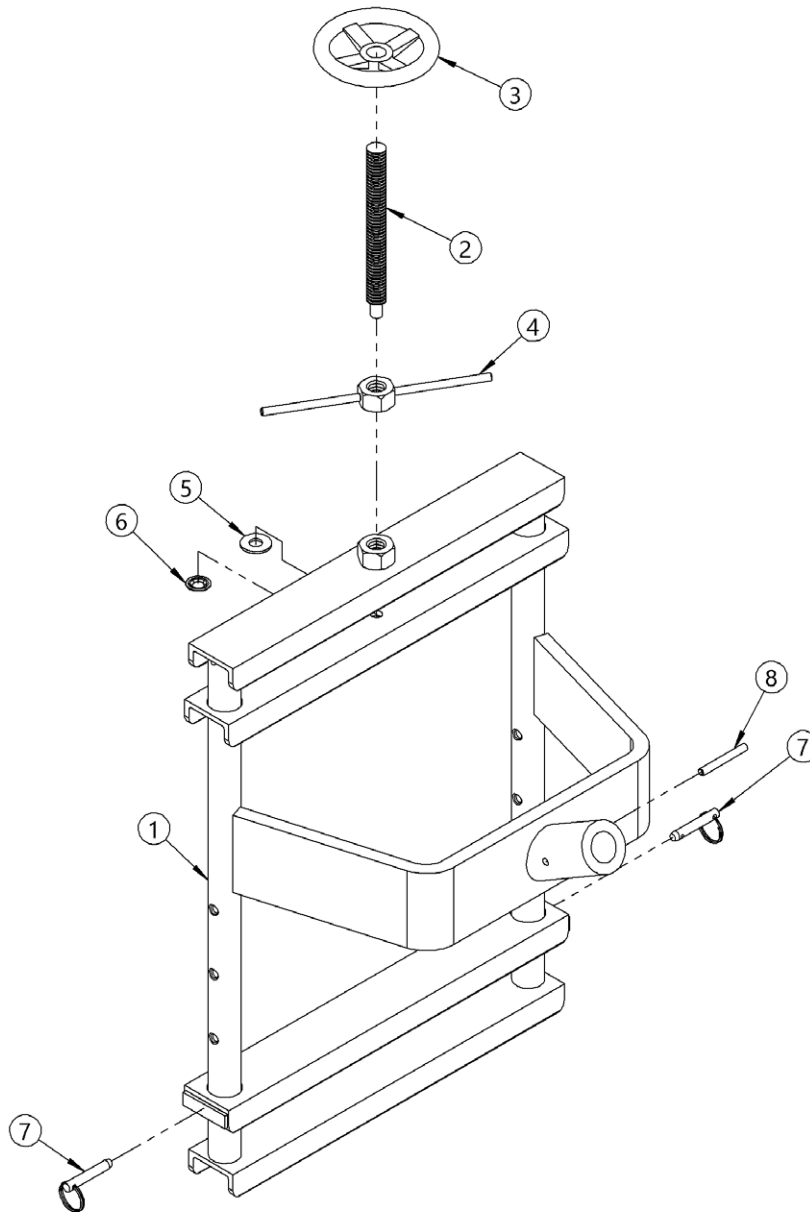


Parts Diagram for Can Holder Used On Morse 305 Series Can Tumblers
 Serial Number 174638 to _____



ITEM NO.	PART NUMBER	DESCRIPTION	QTY.
1	855-P	CAN HOLDER WELD, 305	1
2	905-P	CLAMP SCREW, 5/8 ACME, 305	1
3	935-P	HANDWHEEL, 4" 305	1
4	930-P	SCREW LOCK WELD, 305	1
5	1166-P	WASHER, 3/8 USS 1" OD	1
6	716-P	NUT, PUSH, 3/8	1
7	1903-P	PIN, QUICK 5/16 X 1.3, 305	2
8	2434-P	ROLL PIN, 1/4 X 2"	1