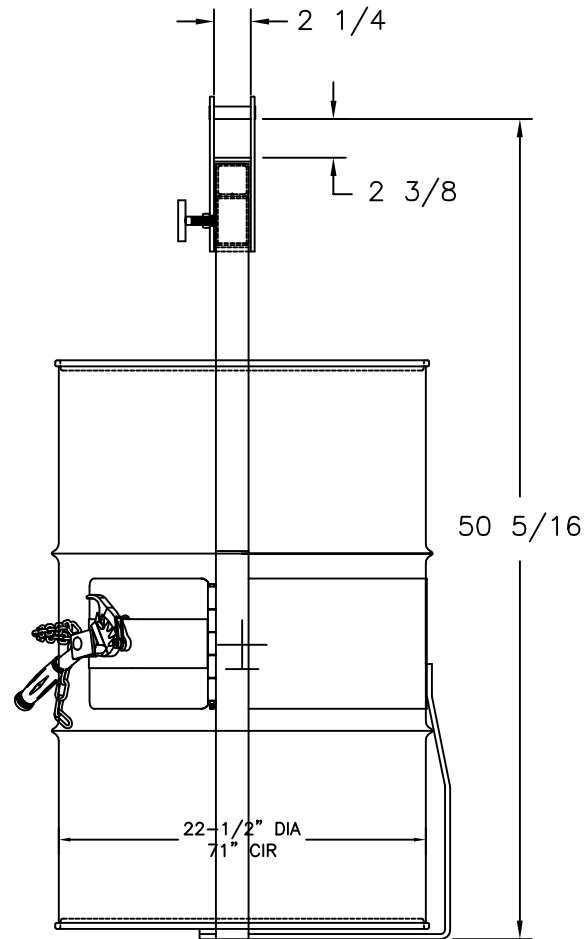
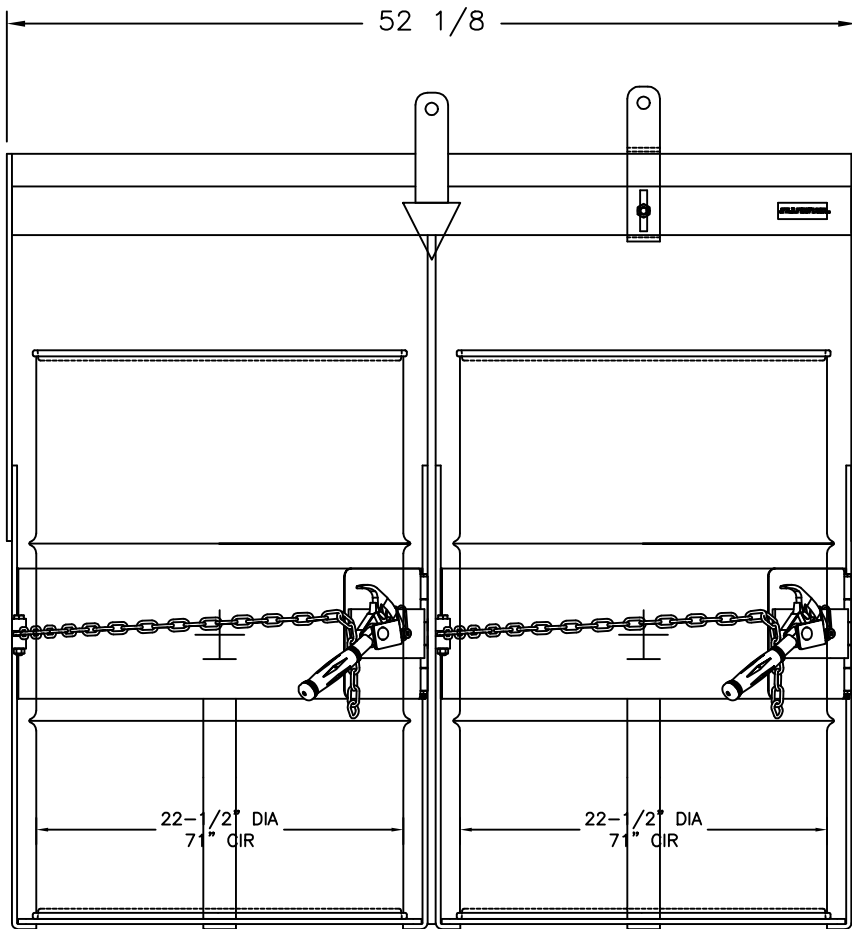
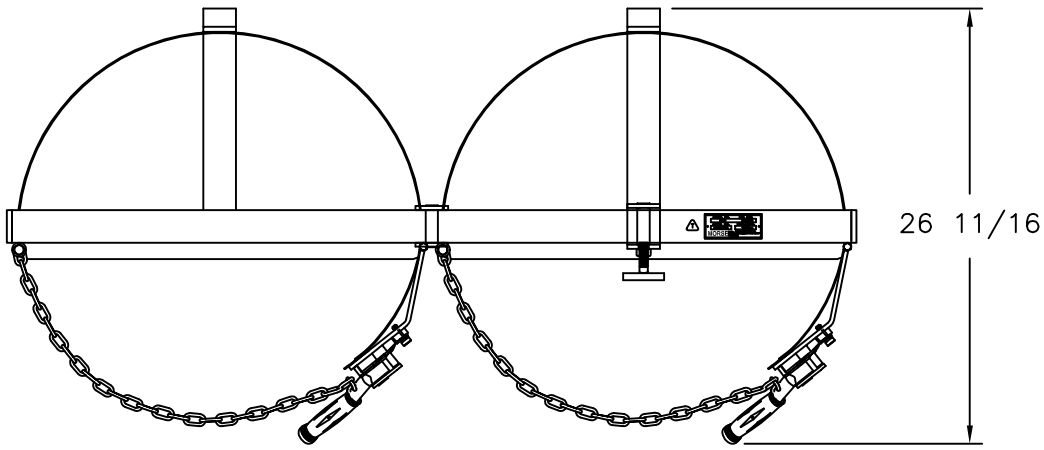


- LIKE MODEL 86 EXCEPT FOR HANDLING TWO DRUMS
- 1000LB CAPACITY PER DRUM
- SHOWN WITH TWO 55GAL STEEL DRUMS



REVISION	EFFECTIVE DATE	INITIALS

MORSE 727 WEST MANLIUS ST.
P.O. BOX 518
MANUFACTURING CO.,INC. EAST SYRACUSE, NY 13057

THIS DOCUMENT, AND THE DESIGNS IT DESCRIBES, ARE PROPERTY OF MORSE MFG. CO. AND ARE NOT TO BE REPRODUCED OR USED IN ANY WAY DETRIMENTAL TO THE INTERESTS OF MORSE MFG. CO.

TITLE: SPL 86, TWO DRUMS

PART #: 86S-2D

PART FOR:

UNLESS OTHERWISE SPECIFIED
FRACTIONS ± 1/32 .XXX ± .005
ANGLES ± 1° .XX ± .02
* = STOCK SIZE

DRAWN BY: PM

SCALE: 1:12

DATE: 2/13/12

PAGE: 1