

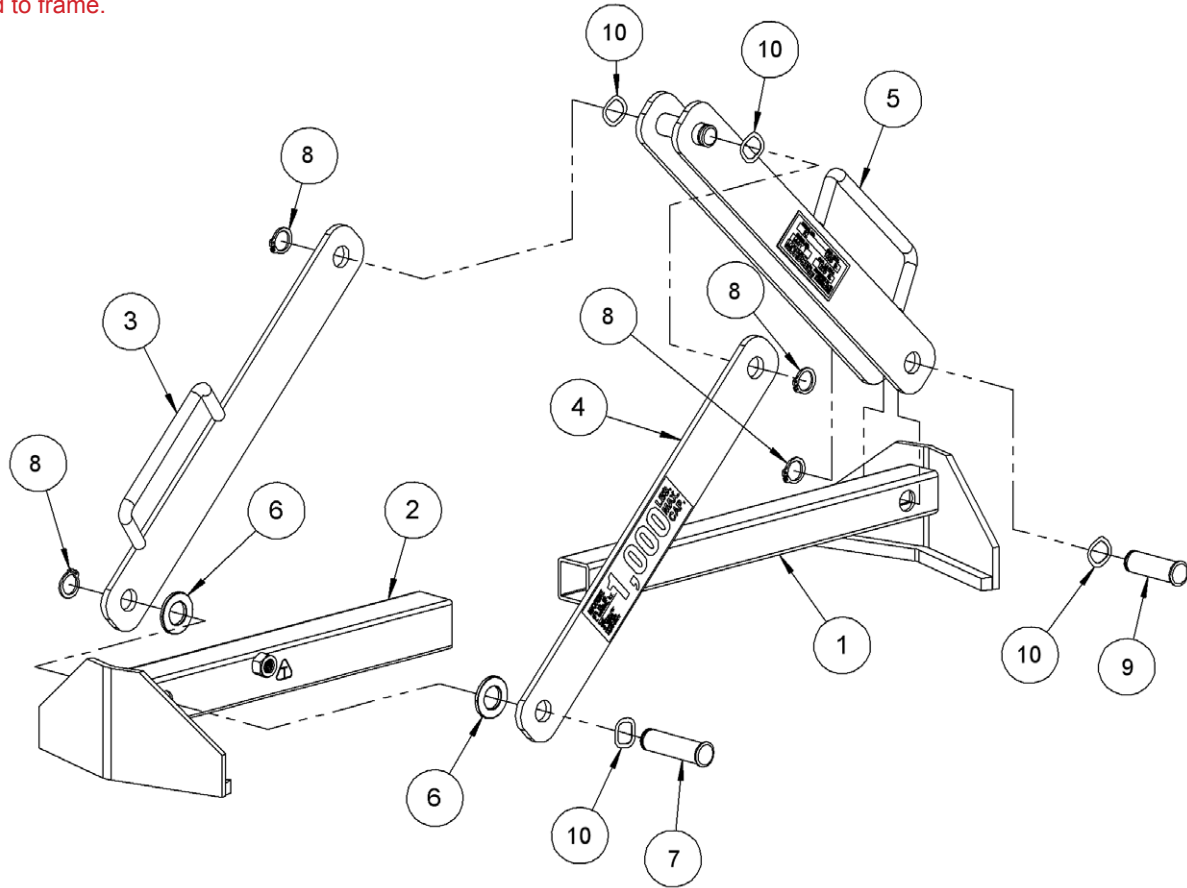
**Operator's Manual for Morse Model 92M
Spark Resistant Drum Lifter for 18" to 26" Diameter Rimmed Drum
with Serial Number 0414 to 0915**

For replacement parts, please contact your Morse dealer.

When ordering parts, please specify:

- Part number and description
- Model number
- Serial number

Find model number and serial number on metal name plate attached to frame.



ITEM	QTY.	PART #	DESCRIPTION
1	1	1439M-P	SMALL TUBE WELD, 92M SR
2	1	1438M-P	LARGE TUBE WELD, 92M SR
3	1	1440M-P	SR LINK WELD W HANDLE 92M
4	1	1429M-P	SR LINK, 92M
5	1	5588M-P	DOUBLE LINK WELD, 92M
6	2	55SS-P	WASHER, 3/4 SAE FL 1-1/2 OD SS
7	1	5585-P	CLEVIS PIN, GROOVE 3/4 X 2.813
8	4	5330-P	SNAP RING, EXT, HD, .078, 3/4"
9	1	5586-P	CLEVIS PIN, GROOVE 3/4 X 2.35
10	4	4319-P	WAVE DISC SPRING, 3/4" .0105"