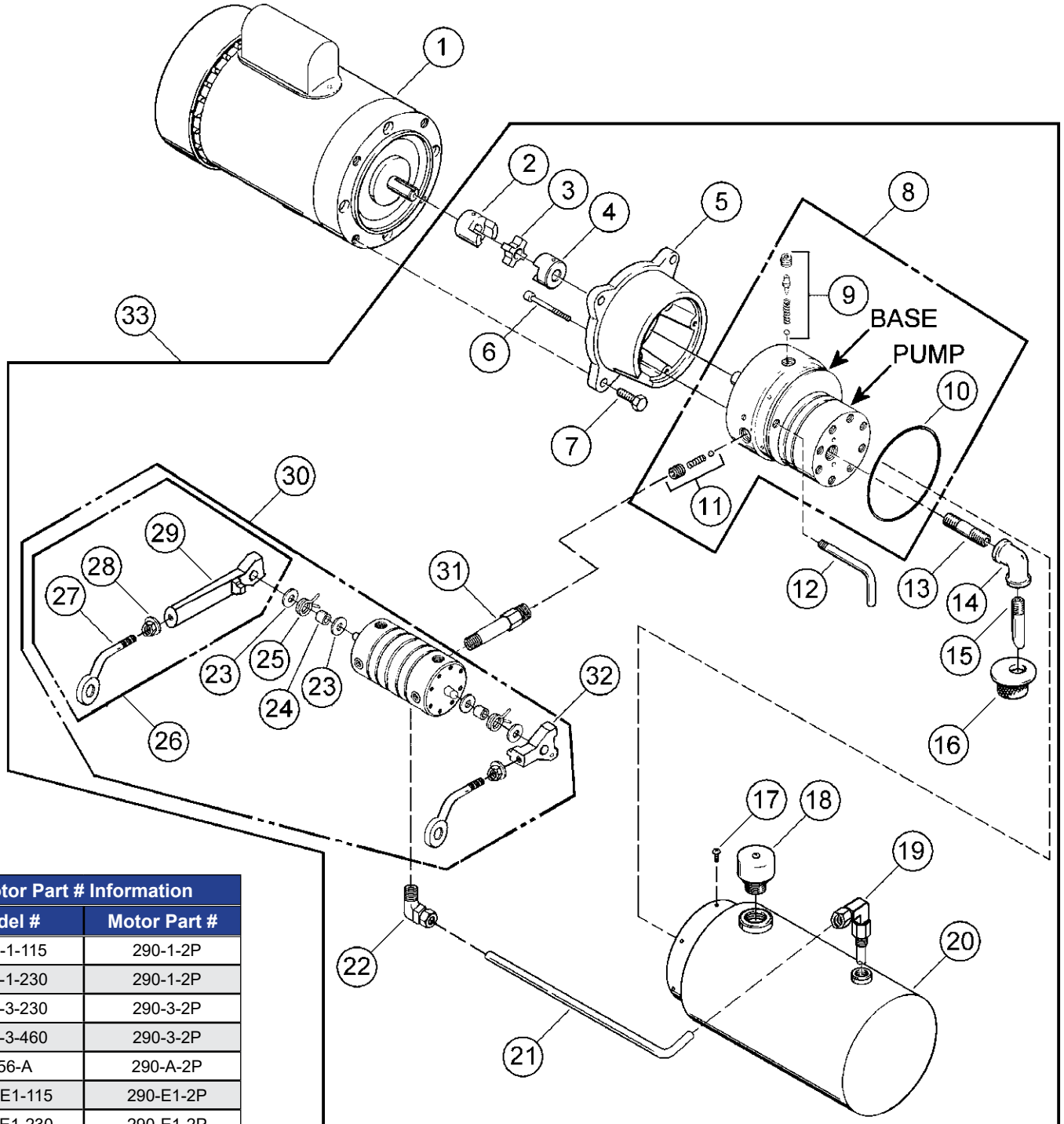


**Parts List and Diagram for Morse Part # M404-456-P**  
**Hydraulic Power Pack used on 456 Series Hydra-Lift Drum Rollers**

ITEM	QTY.	PART #	DESCRIPTION
1	1	*****	SEE CHART PAGE 2
2	1	M01139-P	COUPLING HALF 5/8" BORE MON
3	1	M01603-P	SPIDER, COUPLING, MON
4	1	M01189-P (pre 1997)	COUPLING HALF 1/2" BORE MON
		M18001-P (1997 on)	COUPLING HALF 7/16" BORE MON
5	1	M01615-P	HOUSING, PUMP/ MOTOR ADAPTER
6	4	M07818-P	SHCS, 1/4-20 X 3
7	4	M07817-P	HHCS, 3/8-16 X 7/8
8	1	M12533-380-P +	PUMP ASM, GEAR CODE 380, 456
		M12526-P	BASE ASM, M404, MOD, STD MTR
9	1	M02222-P	KIT, RELIEF VALVE PARTS, MON
10	1	M02352-P	O-RING, 3-5/8 X 3-7/8 X 1/8
11	1	M00075-P	KIT, MAIN CHECK VALVE PARTS
12	1	M01274-P	TUBE, RETURN, 1/8" NPT
13	1	M01117-P	NIPPLE, 3/8 NPT X 2" MON
14	1	M01122-P	ELBOW, 90DEG, 3/8 NPT
15	1	M01459-P	TUBE, SUCT, FILTER, 3/8 NPT
16	1	M01134-P	FILTER SCREEN, SUCTION MON
17	6	M07703-P	SCREW, 10-24 X 3/8 TF
18	1	M01143-P	PLUG, BREATHER, FILLER MON
19	1	M01224-P	ELBOW, RETURN TUBE, M404 MON
20	1	M06899-P	RESERVOIR, 6" DIA X 9" MON
21	1	M01303-P	TUBE, RETURN, VALVE, M404 MON
22	2	M01225-P	ELBOW, RETURN, MON
23	4	M07780-P	WASHER, 5/16" SPECIAL, MON
24	2	M00016-P	BUSHING, TORSION SPRING, MON
25	2	M00018-P	SPRING, TORSION, MON
26	2	M00172-P	HANDLE ASM, W/ BASE, MON
27	2	2173-P	BOLT, LINK EYE, 456
28	2	1634-P	NUT, 5/16-18 WHIZ LOCK
29	1	M00621-P	HANDLE BASE, LONG, 456 VALVE
30	1	M07381-P	VALVE, 3-4 WAY, 456, 310
31	1	M01319-P	ADAPTER, PUMP VALVE, 3-3/8
32	1	M00173-P	HANDLE BASE, MON
33	1	M404-456-P	HYD POWER PACK, 456

**Parts List and Diagram for Morse Part # M404-456-P**  
**Hydraulic Power Pack used on 456 Series Hydra-Lift Drum Rollers**



Motor Part # Information	
Model #	Motor Part #
456-1-115	290-1-2P
456-1-230	290-1-2P
456-3-230	290-3-2P
456-3-460	290-3-2P
456-A	290-A-2P
456-E1-115	290-E1-2P
456-E1-230	290-E1-2P
456-E3-230	290-E3-2P
456-E3-460	290-E3-2P

## Maintenance for Hydraulic Power Pack

### Maintenance info for Hydraulic Pump

Recommended oil is Dexron III ATF or equivalent. Change oil yearly.

#### Recommended Operating Conditions:

- Oil Temperature Range: 10°F to 170°F (-25°C to 77°C)
- Operating Temperature: 50°F to 130°F (10°C to 54°C)

#### Oil Viscosity:

- Optimum 100 to 350 SUS (Cst = .22 X SUS – 135/SUS)
- Minimum 100 SUS at Operating
- Maximum Start Up 4000 SUS

#### Recommended Filtration:

- 10 micron nominal or better

#### Recommended Fluid for indoor use:

- Mobil DTE 24 or equal

#### Recommended Fluid for outdoor use:

- Mobil DTE 13 or equal

The system should not be disassembled in the field for maintenance. These are pass or fail components.

If the valve or pump fails it will need to be replaced due to wear on components.

The root cause for the failure needs to be taken into account to avoid contaminating the new components or to avoid exposing them to the same fail parameters.