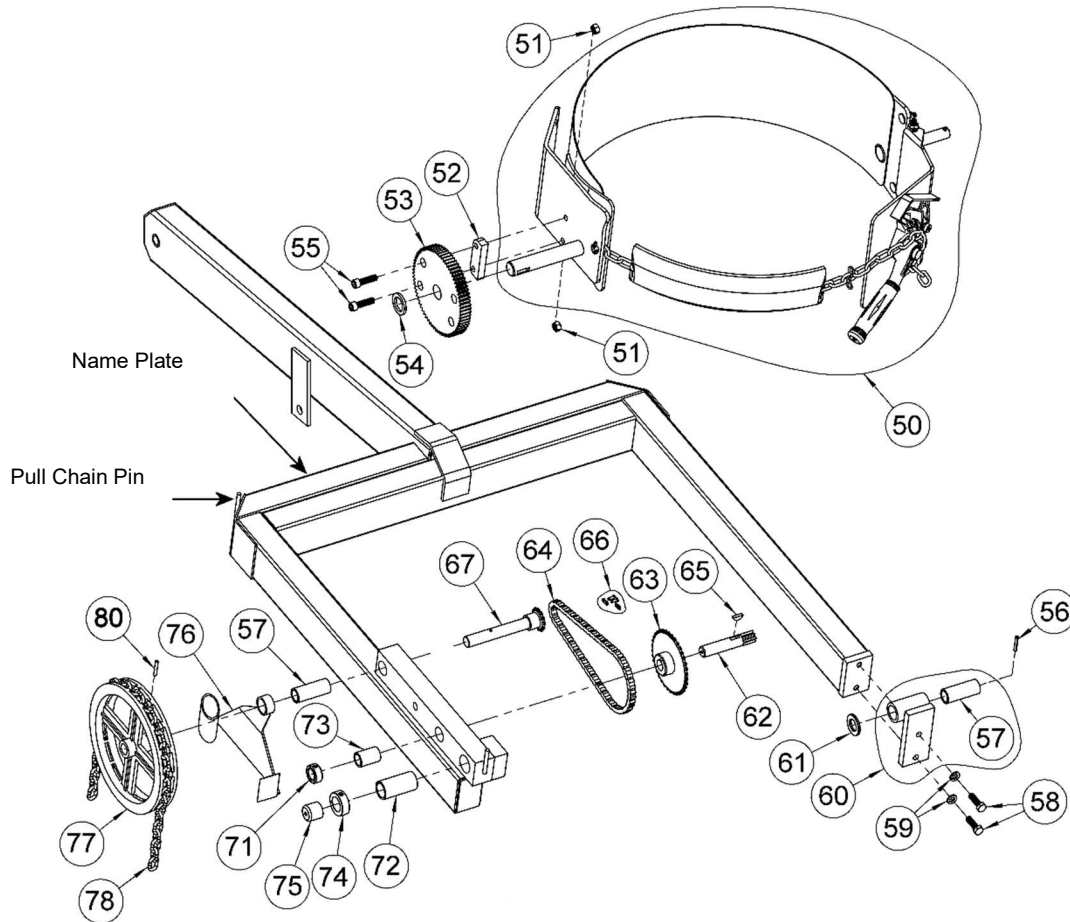


Morse Option # SSG-MT Stainless Steel Gear Option used on

- 500 Series Manual Tilt Vertical-Lift Drum Pourers
 Serial Number 279977 to _____
- 400 Series Manual Tilt Hydra-Lift Karriers
 Serial Number 1015 to ____ (MMYY)



Option SSG-MT Stainless Steel Gears, Manual Tilt			
ITEM	QTY	PART	DESCRIPTION
53*	1	5862-P	SS SPUR GEAR 72T 1" BORE, KEY
62*	1	5863-P	GEAR, PINION, 7 TOOTH, SS
63*	1	13SS-P	SPROCKET #35 36T, 3/4" BORE SS
64*	1	12SS-P	CHAIN, ROLLER, #35 SS
66	1	795SS-P	LINK, MASTER, #35 CHAIN SS
67*	1	3755-P	SS SHAFT W/ SS 12T SPROCKET
70	1	4285-P	COVER KIT, POLY, REG (NOT SHOWN)

400 Series Hydra-Lift Karrier Overhead Assembly shown for illustration purposes

Parts Standard On All Stainless Steel Manual Tilt 400 Series			
ITEM	QTY	PART	DESCRIPTION
50	1	5000SS-P	SADDLE ASM, MORCINCH, MOR, SS
51	2	3981SS-P	NUT, 3/8-16 NYLON LOCK, SS
52	1	4473SS-P	SPACER, SPUR GEAR, MOR, SS
54	1	29SS-P	SPACER, SPUR GEAR .15", SS
55	2	4370-P	SHCS, 3/8-16 X 1-3/8
56*	1	64SS-P	ROLL PIN, 3/16 X 1-1/4, SS
57*	2	19-P	HHCS, 3/8-16 X 1-1/4, SS
58	2	535SS-P	HHCS, 3/8-16 X 1-1/4, SS
59	2	1474SS-P	WASHER, 3/8 SPLIT LOCK, SS
60*	1	3849BSS-P	BEARING ASM, SLIDING IDLER, SS
61	1	55SS-P	WASHER, 3/4 SAE FL 1-1/2 OD SS
65*	1	735SS-P	KEY, WOODRUFF, SIZE 9, T304SS
71	1	15SS-P	COLLAR, 3/4" ID, SS
72*	1	18-P	BEARING, 1" ID X 2-1/2"
73*	1	7-P	BEARING, 3/4" ID X 1-1/2"
74	1	16SS-P	COLLAR, 1" ID, SS
75	1	4235-P	CAP, PLASTIC, DRIVE SHAFT
76*	1	5245-P	GUIDE, POCKET CHAIN WHEEL
77*	1	1303SS-P	POCKET CHAIN WHEEL SILVER PC
78*	1	3-185-P	CHAIN, PULL, POCKET 12' LENGTH (96" models)
78*	1	3-72-P	CHAIN, PULL, POCKET, 7' LENGTH (72" models)
80	1	5269-P	ROLL PIN, 3/16 X 1-3/4

* Recommended spare parts