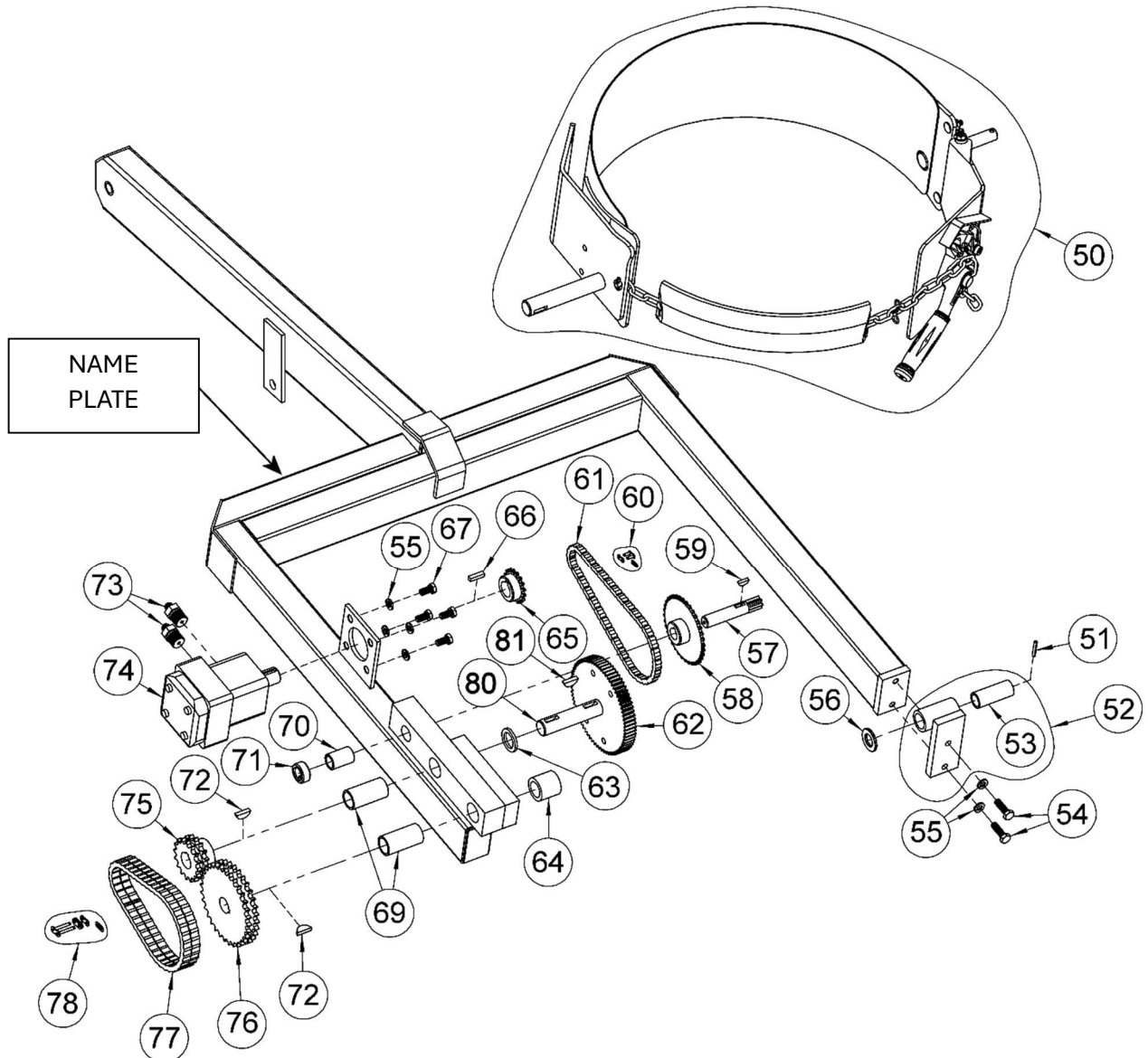


OPTION SSG-PT Stainless Steel Gears for

- 500 Series with serial number 000000 to Current
- 400 Series with serial number 0512 to Current (MMYY) or 400000 to Current

400 Series Hydra-Lift Karrier Overhead Assembly Shown



OPTION SSG-PT			
ITEM	QTY.	PART NUMBER	DESCRIPTION
57*	1	5863-P	GEAR, PINION, 7 TOOTH, SS
58*	1	13SS-P	SPROCKET #35 36T, 3/4" BORE SS
60	1	795SS-P	LINK, MASTER, #35 CHAIN SS
61*	1	12SS-P	CHAIN, ROLLER, #35 SS
62*	1	5862-P	SS SPUR GEAR 72T 1" BORE, KEY
65*	1	1116SS-P	SPROCKET #35 17T, 1" BORE SS
66*	1	2656SS-P	KEY, SQUARE, 1/4 X 1" SS
75*	1	30SS-P	SPROCKET #40D 16T, 1" BORE, SS
76*	1	32SS-P	SPROCKET #40D 32T, 1" BORE, SS
77*	1	31SS-P	CHAIN, ROLLER, #40D SS
78*	1	796SS-P	LINK, MASTER, #40D CHAIN SS
80	1	1420SS-P	SHAFT, SPUR GEAR, W/ WASHER SS
81	1	4065SS-P	KEY SS, NOTCHED, KF-185
*Recommended spare parts			