

Parts Diagram for Part # 102Z-P Drum Holder (Saddle) Assembly

Used on

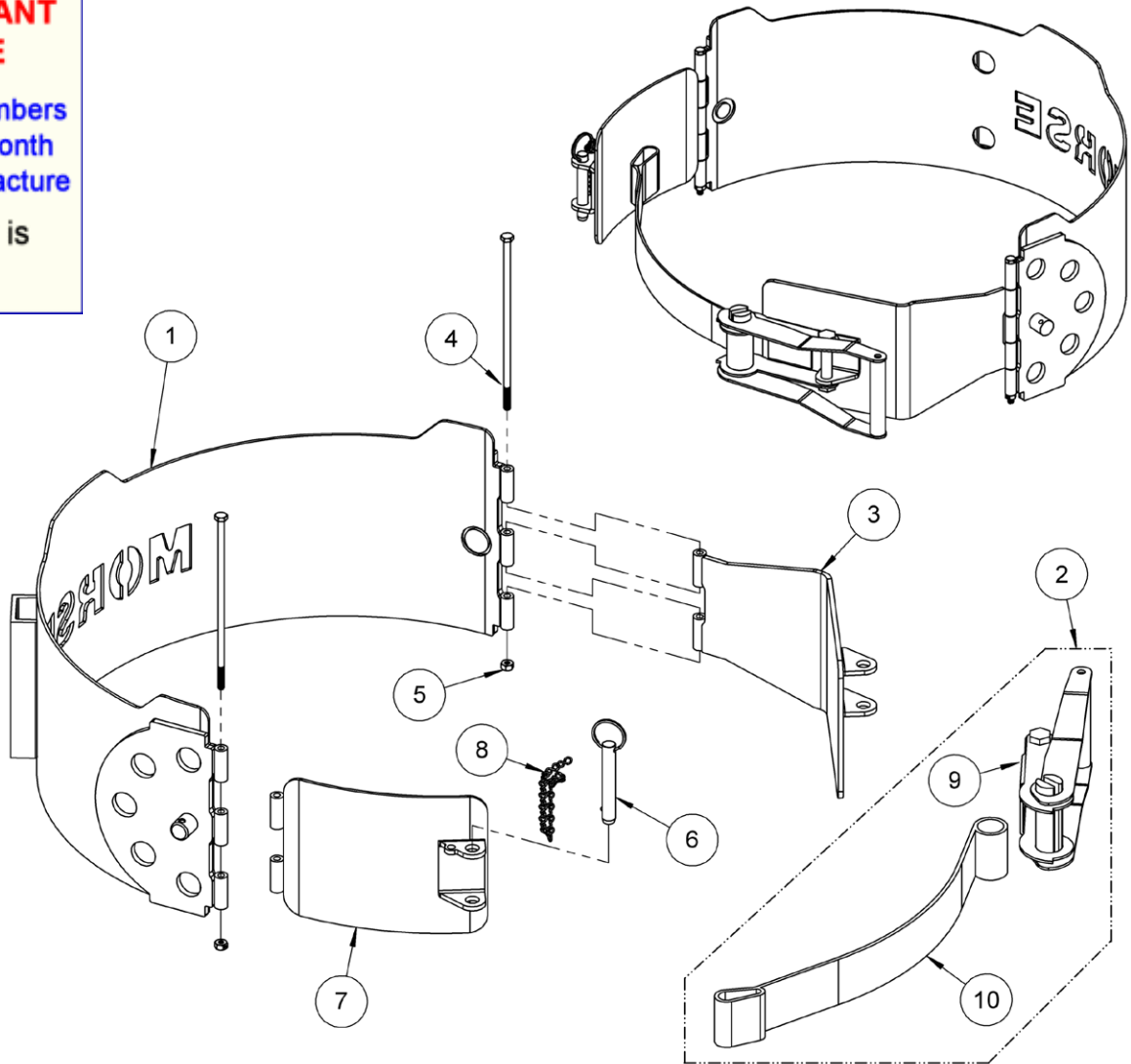
- 82A Series with Serial Number 1016 to 0118 (MMYY)
- Model 80i with Serial Number 0816 to 0118 (MMYY)
- Model 85i with Serial Number 0816 to 0118 (MMYY)



IMPORTANT NOTE

4-Digit serial numbers are simply the month & year of manufacture

Example: 0802 is August 2002



ITEM NO.	PART NO.	DESCRIPTION	QTY.
1	131Z-P	SADDLE WELD, 11GA, 80i, 85i 82	1
2*	4449-P	STRAP RATCHET ASM, 2" X 3'	1
3	5953-P	RATCHET PLATE WELD, 85i	1
4	1296-P	HHCS, 1/4-20 X 7-1/2 GR5	2
5	1297-P	NUT, 1/4-20 REV HEX LOCK	2
6*	5804-P	PIN, QUICK RELEASE, 1/2 X 2.5	1
7	6012-P	HINGED LINK, STRAP, 102Z-P	1
8	2680-P	CHAIN, KEEPER, LINCH PIN, 6"	1
9	5498-P	RATCHET ONLY, WEB STRAP 4449-P	1
10	5497-P	WEB STRAP, POLYESTER, 4449-P	1

* Recommended spare parts