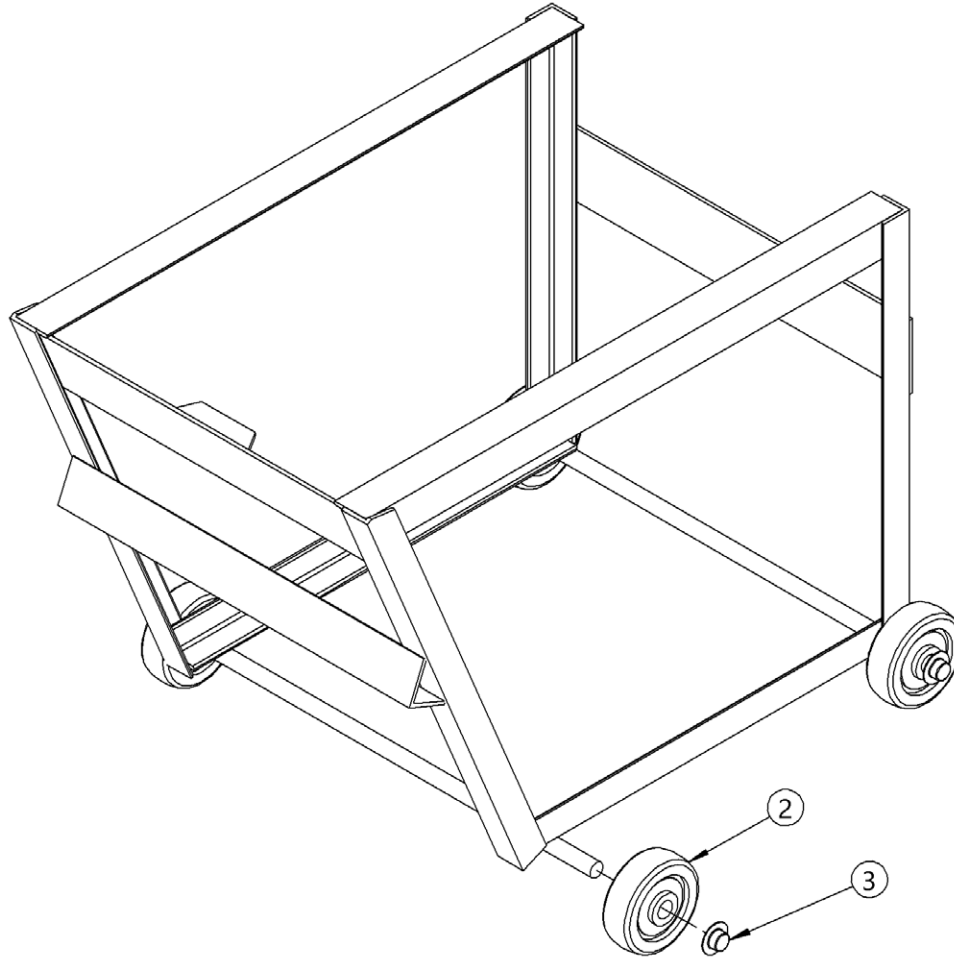


Parts Diagram of Morse Model 46 15-Gallon Drum Cradle



ITEM NO.	PART NUMBER	DESCRIPTION	QTY.
1	2999-P	FRAME WELD, 46	1
2	210-P	WHEEL, MORTUF 3" X 1/2"BORE 36	4
3	715-P	CAP, HUB, PUSH-ON, 1/2"	4



WARNING: This product can expose you to chemicals including cobalt, titanium dioxide, and 2-methylimidazole, which are known to the State of California to cause cancer, and bisphenol-A, which is known to the State of California to cause birth defects or other reproductive harm. For more information go to www.P65Warnings.ca.gov



morsedrum.com



service@morsedrum.com



(315) 437-8475



727 West Manlius St.
 East Syracuse, NY, 13057 USA