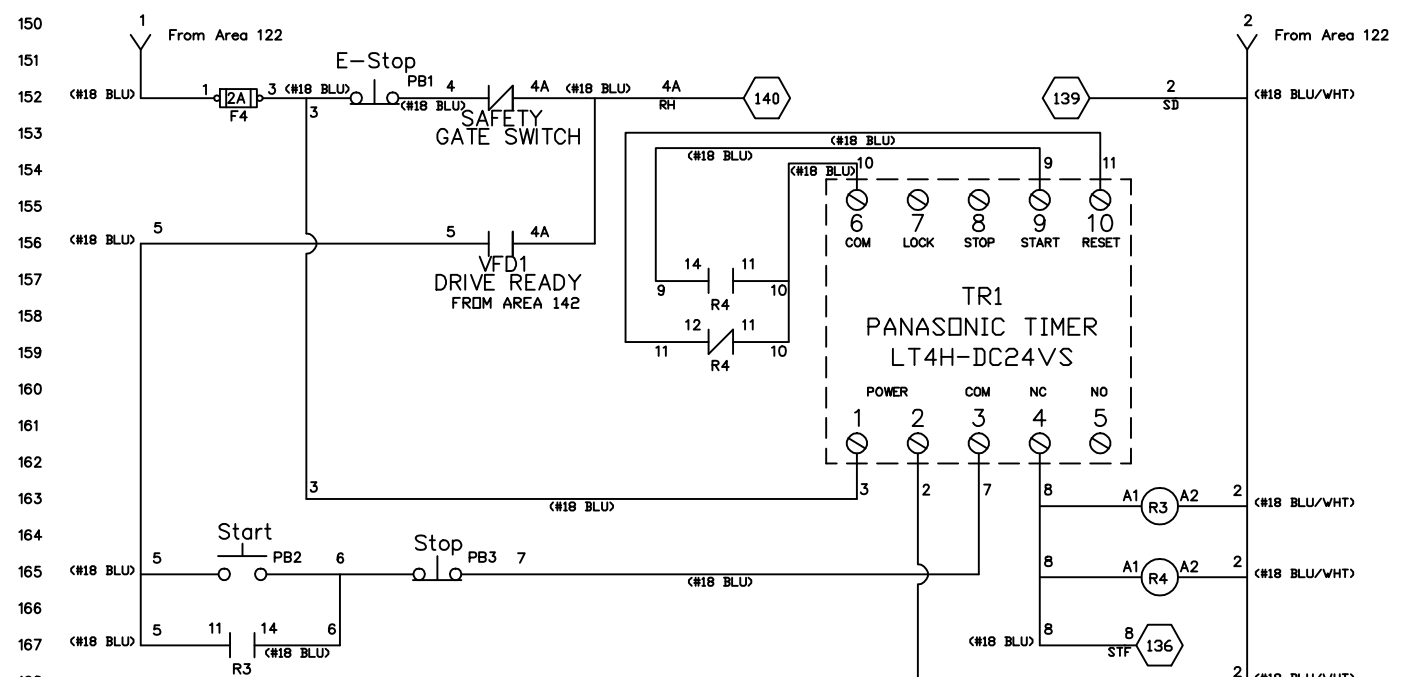
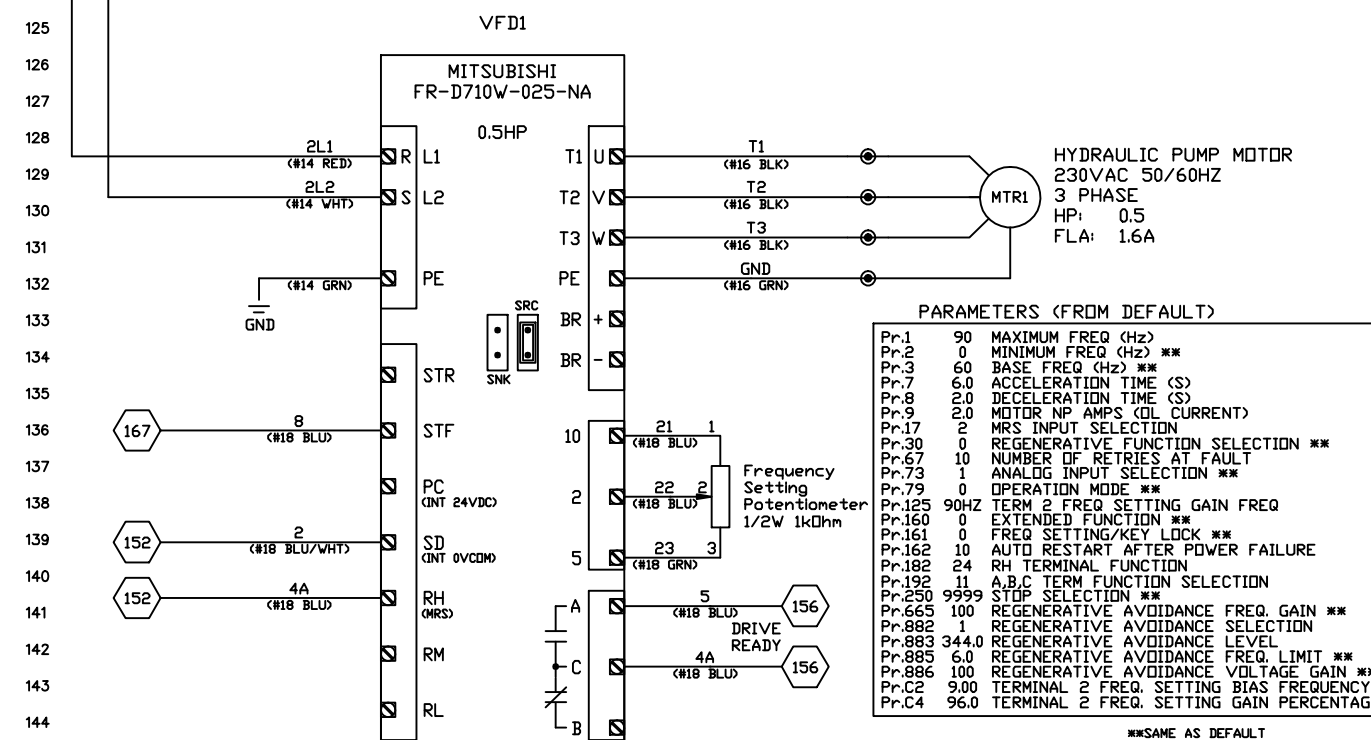
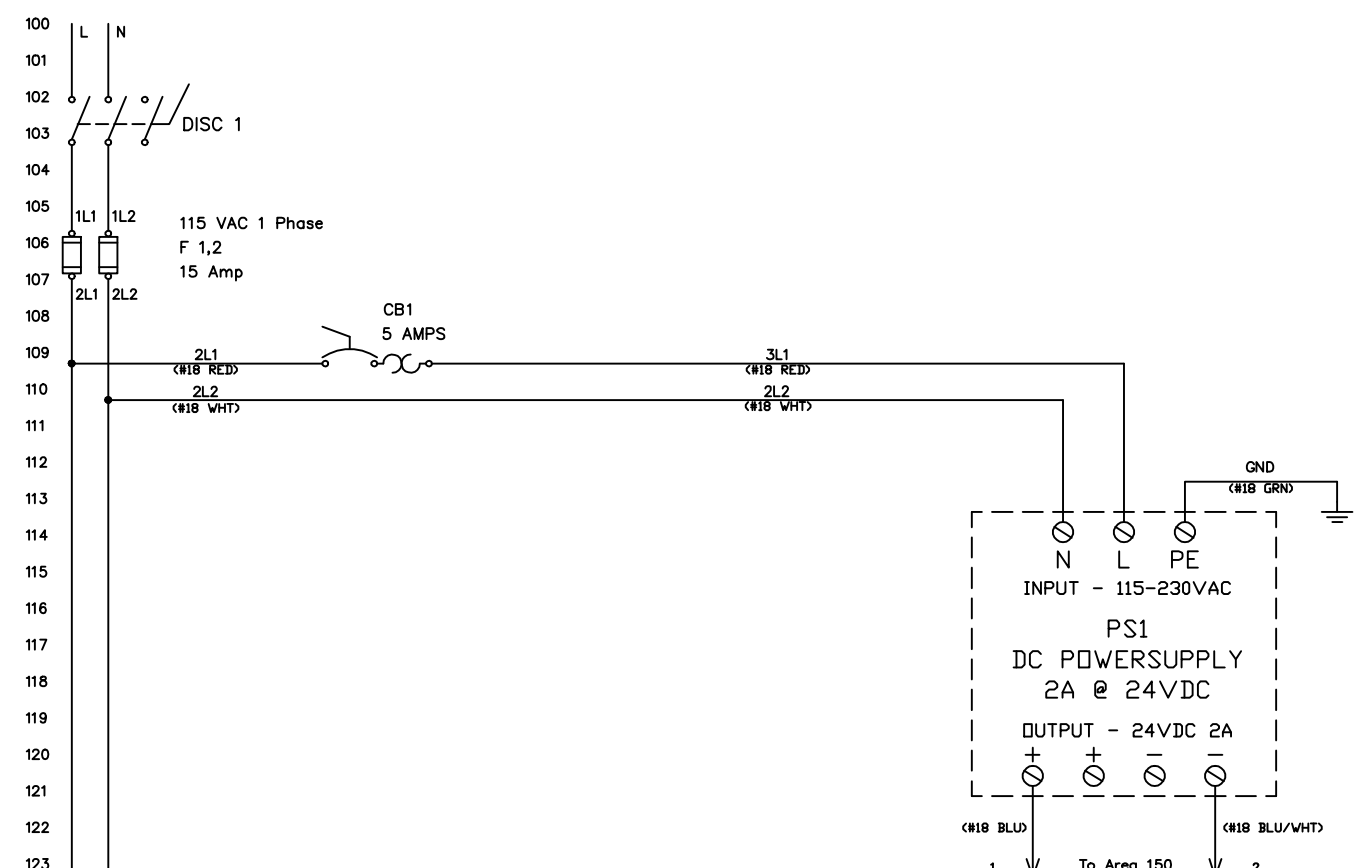


| DATE | REV | DESCRIPTION | DATE | APPROVED |
|------|-----|-------------|------|----------|
| | | | | |



| MANUFACTURER | PART NUMBER | DESCRIPTION | QUANTITY |
|-------------------|--------------------|--|----------|
| Eurobex (EXM) | 5412 ES161608 | Enclosure, 16" x 16" x 8" | 1 |
| Sprecher+Schuh | FLEX6024A | Power Supply, Input 115/230VAC, Output 24VDC @ 2A | 1 |
| Panasonic | LT4H-DC24VS | Panasonic Digital Timer | 1 |
| Sprecher+Schuh | PIR6W-1P-24VDC | Relay | 2 |
| Mitsubishi | FR-D710W-025-NA | Mitsubishi D700 VFD, 0.5HP @ 115VAC 1-PHASE | 1 |
| Sprecher+Schuh | D7P-POT3A | Potentiometer, 1K | 1 |
| Sprecher+Schuh | D7P-E202PX01 | Pushbutton, Extended Black "STOP", 1NC | 1 |
| Sprecher+Schuh | D7P-F301PX10 | Pushbutton, Flush Green "START", 1NO | 1 |
| Sprecher+Schuh | D7P-MT44 | E-Stop Operator, Twist-To-Release, 40mm | 1 |
| Sprecher+Schuh | D7-ALP | Latch, Plastic | 1 |
| Sprecher+Schuh | D7-X01S | Guardian Block, NC | 1 |
| Sprecher+Schuh | D7-15YSE112 | E-Stop Inscription Ring | 1 |
| Sprecher+Schuh | LA7-16-1753 | Base Mounted 3 Pole Switch | 1 |
| Sprecher+Schuh | LFS2-N-6-175 | Switch Handle Assembly | 1 |
| Sprecher+Schuh | LA2-G3393 | Metal Operating Shaft | 1 |
| Sprecher+Schuh | 31296 | Fuse Holder, 2-Pole, Class CC Fuses | 1 |
| Ferraz Shawmut | ATDR15 | Class CC Fuse, 15 Amp, Time Delay | 2 |
| Sprecher+Schuh | V7-WFB4 | Fuse Block | 1 |
| Woertz | WF520F/2 | Fuse, 2 Amp | 1 |
| Electrotech | WR-35AL/S | DIN Rail, 35mm x 1meter | 1 |
| Automation Direct | T1-0510G-1 | WIRE DUCT, 0.50" x 1.0" x 2M | 1 |
| Sprecher+Schuh | V7-WG4 | Ground Terminal | 1 |
| Sprecher+Schuh | V7-W4 | Terminal | 11 |
| Sprecher+Schuh | V7-EA35 | End Anchor | 8 |
| Sprecher+Schuh | V7-EB3 | End Barrier | 1 |
| Sprecher+Schuh | V7-PP3 | Partition | 3 |
| Sprecher+Schuh | V7-SM6X12 (Custom) | Marker Card (Custom Printed) | 1 |
| Sprecher+Schuh | L8-5/1/B | Circuit Breaker, 5Amp, B-Curve | 1 |
| Sprecher+Schuh | V7-CJ6-2 | Center Jumper | 2 |
| McMaster-Carr | 5891T111 | Electrical Hazard Warning Label, 1-3/4"W x 2-1/2"H | 2 |
| | | Legend Plate, 0.75" x 0.75", "0" | 1 |
| | | Legend Plate, 0.75" x 0.75", " " | 1 |

TIMER DIP SETTINGS

| | | |
|---|--------------------------|-----|
| 1 | <input type="checkbox"/> | ON |
| 2 | <input type="checkbox"/> | OFF |
| 3 | <input type="checkbox"/> | OFF |
| 4 | <input type="checkbox"/> | ON |
| 5 | <input type="checkbox"/> | ON |
| 6 | <input type="checkbox"/> | OFF |
| 7 | <input type="checkbox"/> | OFF |
| 8 | <input type="checkbox"/> | ON |

| | | | | | | | |
|---------------------------|---|------------------------|----------------|----------------------|-------------------------|---------------|--|
| DESIGNED BY PCW | <p>AACI APPLIED AUTOMATION CONTROLS INC. 1240 WOLF STREET, SYRACUSE NY 13208 PHONE 315-453-5670 FAX 315-453-5681</p> | DATE DRAWN 09/30/16 | TITLE MORSE | DATE CHG 09/30/16 | DRAWN BY AACI093016C | REV 1 of 1 | |
| CHECKED BY PCW | | | | | | | |
| DATE APPROVED 09/30/16 | | | | | | | |
| DATE QAPP 09/30/16 | | | | | | | |

THIS MATERIAL IS THE EXCLUSIVE PROPERTY OF AACI (APPLIED AUTOMATION CONTROLS INC.) AND MUST BE RETURNED TO AACI IMMEDIATELY UPON REQUEST. THIS MATERIAL AND INFORMATION ILLUSTRATED OR CONTAINED HEREIN MAY NOT BE REPRODUCED, COPIED, USED OR TRANSMITTED IN ANY FORM OR BY ANY MEANS WITHOUT THE PRIOR WRITTEN CONSENT OF AACI.